

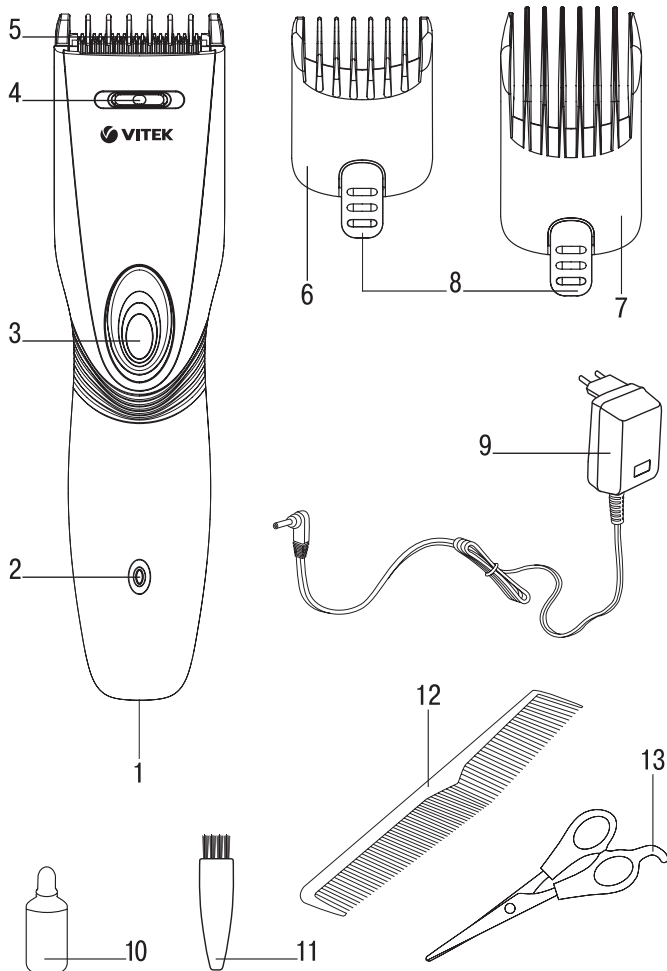
VT-2568 BK

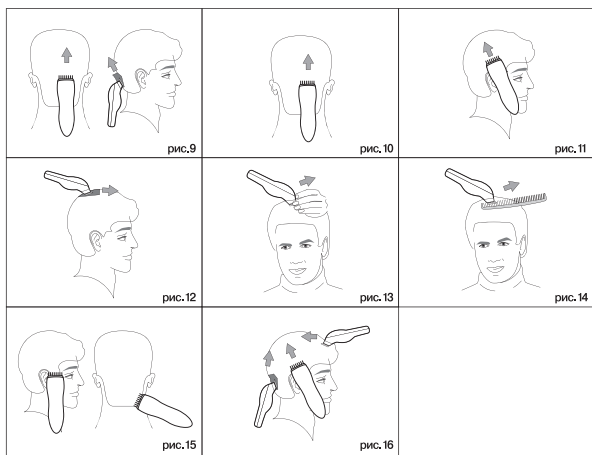
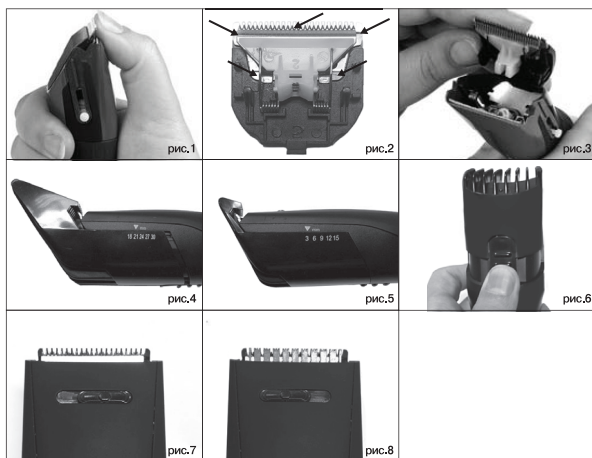
Hair clipper

Машинка для
стрижки волос

Инструкция по эксплуатации

| | |
|---------------------------------------|-----------|
| GB Manual instruction | 4 |
| DE Die betriebsanweisung | 10 |
| RUS Инструкция по эксплуатации | 17 |
| KZ Пайдалану нұсқасы | 24 |
| UA Інструкція з експлуатації | 30 |





ENGLISH

HAIR CLIPPER VT-2568 BK

The hair clipper VT-2568 BK is a part of the hair clipper set and is intended for hair cutting and thinning.

DESCRIPTION

1. AC/DC adapter connection socket
2. On/Charging indicator
3. Power switch «ON/OFF»
4. Hair thinning comb lock
5. Blade block
6. Universal attachment
3/6/9/12/15 mm
7. Universal attachment
18/21/24/27/30 mm
8. Attachment lock
9. Power adapter
10. Lubricating oil
11. Cleaning brush
12. Comb
13. Scissors

SAFETY MEASURES

Read this instruction manual carefully before using the unit and keep it for future reference for the whole unit operation period. Use the unit for intended purposes only, as specified in this manual. Mishandling of the unit may lead to its breakage and cause harm to the user or damage to his/her property.

- Before the first connecting the unit to the mains for battery charging, make sure that your home mains voltage corresponds to power adapter operating voltage.
- The power adapter cord must not:
 - touch hot objects and surfaces,
 - be immersed into water,
 - run over sharp edges of furniture,
 - be used as a handle for carrying the unit.
- Do not touch the power adapter body with wet hands.
- Use the unit to cut only dry hair.
- Use the unit to cut only natural human hair.
- Do not use the unit to cut artificial hair and animal hair.
- Use only the attachments and the adapter supplied.
- Do not use the unit in places with high temperature and relative humidity more than 80%.
- Do not use the unit outdoors.
- Charge the battery at the temperature from +5°C to +35°C.
- Never use the unit if the attachment combs are broken or damaged or if the blades are damaged.
- **ATTENTION!** *Keep the unit dry. Never immerse the hair clipper and the power adapter into water or other liquids.*
- Always keep the blades clean and lubricated.
- After each use of the hair clipper clean the attachments and the blade block with the brush supplied to remove the cut-off hair.
- Never leave the operating unit unattended.
- Switch the hair clipper off during breaks between operation cycles or when you are not using it.
- Do not allow children to touch the power adapter body during the unit charging.
- Do not allow children to use the units as a toy.
- This unit is not intended for usage by children.
- During the unit operation and breaks between operation cycles, place the unit out of reach of children and disabled persons.
- The unit is not intended for usage by physically or mentally disabled persons (including children) or by persons lacking experience or knowledge if they are not under supervision of a person who is responsible for their safety or if they

are not instructed by this person on the usage of the unit.

- Close supervision is necessary when children or disabled persons are near the operating unit.
- For children safety reasons do not leave polyethylene bags used as a packaging unattended.

Attention! Do not allow children to play with polyethylene bags or packaging film.

Danger of suffocation!

- Do not attempt to repair the unit. Do not disassemble the unit by yourself, if any malfunction is detected or after it was dropped, unplug the unit and apply to any authorized service center from the contact address list given in the warranty certificate and on the website www.vitek.ru.
- To avoid damages, transport the unit in the original package only.
- Keep the unit in a dry cool place out of reach of children and disabled persons.
- **After unit transportation or storage at low temperature keep it for at least three hours at room temperature before switching on.**

THIS UNIT IS INTENDED FOR HOUSEHOLD USAGE ONLY

BEFORE THE FIRST USE

- Unpack the unit completely and remove any stickers that can prevent unit operation.
- Check the unit for damages; do not use it in case of damages.
- Before connecting the power adapter, make sure that voltage of the mains corresponds to unit operating voltage.
- Charge the battery and lubricate the blade block following the recommendations below.

The hair clipper can operate both connected to the mains and on the built-in battery.

Battery charging

Full charging of the accumulator battery is enough approximately for **60** minutes of continuous operation.

- Switch the hair clipper off, setting the power switch (3) to the "OFF" position.
- Insert the power adapter (9) cord plug into the connection socket (1) on the lower side of the unit body.
- Place the hair clipper on a flat stable surface.
- Plug the power adapter (9) plug into the mains socket, the charging indicator (2) will light up red.
- The full charging time for the accumulator battery is 8 hours; do not exceed it to avoid reducing the battery operating life.
- After the battery is charged, unplug the power adapter (9) from the mains, remove the adapter cord plug from the connection socket (1), the charging indicator (2) will go out.

Attention:- Charge the battery the first 2-3 times for 12 hours. The following charging cycles time should not exceed 8 hours.

- **To prolong the battery operating life, it should be discharged completely before each charging cycle.**
- **Do not charge the batteries at temperature below +5°C and above +35°C.**
- **If you have not used the hair clipper for a month or more, charge it completely before use.**
- **Never leave the unit connected to the mains unattended.**

Using the power adapter

The unit connected to the mains is always ready to use.

If you want to continue using the unit at partially discharged battery, connect the plug of the power adapter (9) cord to the

ENGLISH

socket (1) on the lower part of the unit body, connect the power adapter (9) into the mains socket, switch on the unit setting the power switch (3) to the "ON" position, the on indicator (2) will light up red.

Lubricating the blade block

Before using the unit for the first time remove the blade block (5) and lubricate it with oil (10) (supplied with the unit).

- To remove the blade block place the clipper with the blades up and press on the upper edge of the blade block with your thumb to release it from the locking frame, as shown on **pic. 1**.
- Points for applying the lubricating oil are marked with arrows on the **pic. 2**. Apply 1 drop of oil to each point.
- To install the blade block back to its place first insert its lower part to the installation place and then carefully press on the upper edge of the blades until clicking to lock it, see the **pic. 3**.
- Let the hair clipper operate for approximately 30 seconds to spread the oil across the rubbing surfaces. After that remove the surplus oil with a dry cloth or a paper towel.

Notes:

- *Lubricate the blades after every use of the hair clipper.*
- *Use only the oil (10) supplied with the set.*
- *Do not use vegetable oil or oil that includes solvents. Solvents will evaporate, leaving thick grease that may slow down the blades motion.*

Universal attachments (6) and (7)

Each universal attachment (6) and (7) has 5 positions for hair of different length, which are marked on the scale on the left side of the attachment:

- universal attachment (6): 3 mm, 6 mm, 9 mm, 12 mm, 15 mm, see **pic. 4**;

- universal attachment (7): 18 mm, 21 mm, 24 mm, 27 mm, 30 mm, see **pic. 5**.

- The scale is situated on the left side of each attachment, so the selected hair length (mm) is shown opposite the symbol «▼mm» on the left side of the hair clipper.
- Before installing, removing or changing the universal attachments, switch the unit off by setting the switch (3) to the position «OFF»; if the unit is powered by the power adapter, unplug it.
- To install the universal attachment insert its guides into the corresponding grooves in the hair clipper body and press the lock (8) to move it to the selected cutting length according to the scale, see **pic. 6**.
- To remove the universal attachment (6) or (7) press the lock (8) and pull the attachment upwards.

Hair thinning function

The unit has the hair thinning function which allows to visually improve the hairstyle by thinning out hair. Hair thinning makes the hairstyle lighter and accentuates the hair texture. Due to thinning out the haircut keeps its style for a long time. Hair thinning means cutting off separate locks. It allows achieving smooth transition between locks of different length. Hair thinning is performed at the final phase of hair cutting.

To extend the hair thinning comb, move the lock (4) to the utmost left position. To remove the hair thinning comb, move the lock (4) to the utmost right position (see **pic. 7, 8**).

USING THE HAIR CLIPPER

- For cordless use of the unit, charge the battery fully following the recommendations above.

- For the corded unit operation, insert the power adapter (9) jack into the socket (1) on the bottom part of the unit body and connect the power adapter (9) to the mains.

Hair cutting

- The hair should be clean and dry.
- Before cutting hair, switch the hair clipper on, setting the power switch (3) to the position «ON», the ON indicator (2) will light up red.
- Make sure that the hair clipper operates normally and the blades move smoothly. If there is excess oil on blades, remove it with a dry cloth.
- During operation with the unit connected to the power adapter, always check the power cord condition, do not allow its multiple twisting, periodically turn off the unit and straighten the power cord.
- Switch the unit off by setting the switch (3) to the position «OFF», then install the universal attachment (6) or (7).
- Seat a person so that his/her head is approximately at your eye level, cover the person's shoulders with a towel and set hair with the comb (12).
- Switch the unit on, setting the power switch (3) to the position «ON», the ON indicator (2) will light up red.
- After using set the power switch (3) to the position «OFF», the ON indicator (2) will go out.

Notes:

- Always switch the hair clipper off during breaks of operation cycles.
- Before changing the attachment switch the hair clipper off, and if the hair clipper is cord-operated, remove the power adapter from the mains.

Reminders:

- Cut off a little amount of hair at a time; you can always return to the cut part for additional cutting.

- The best haircutting results are reached on dry hair, not wet.
- Comb the hair with a comb (12) to reveal uneven locks.
- It is better to leave longer hair after cutting for the first time.
- After learning the unit better, you will be able to arrange your hair in any style you need.

HAIR STYLING INSTRUCTIONS

Step one

Set the universal attachment (6) to the position «3» or «6». Switch the hair clipper on, setting the power switch (3) to the position «ON». Hold the hair clipper with the blades pointed upwards. Start cutting from the lower part of the head. Slowly move the hair clipper upwards. Cut the head back area at the bottom and near the ears (pic. 9, 10, 11).

Step two

Switch the hair clipper off, set the attachment to the position «9» or «12», switch the hair clipper on and continue cutting hair closer to the top of the head (pic. 12).

Step 3 – cutting in the temples area

Switch the hair clipper off, set the attachment to the position «3» or «6» and cut hair on the temples. Then set it to the position «9» or «12» and continue cutting towards the top of the head.

Step 4 – cutting the crown of the head

Using the universal attachments cut the hair from the top of the head towards the crown against the hair growth direction.

- You can cut hair against and along the direction of hair growth, but keep in mind that the hair cut against the growth will be shorter than the hair cut along the growth.

ENGLISH

- Use the attachment (6) positions «3» or «6» for very short cutting. To leave a little longer hair use the following attachment positions.
 - To leave longer hair use the universal attachment (7).
 - To leave longer hair, grip hair locks between your fingers and cut the hair off using the clipper (pic. 13).
 - You can use the comb (12): lift the hair locks and cut them with the hair clipper above the comb (pic. 14).
 - Always start cutting from the head back.
 - Comb the hair with a comb (12) to reveal uneven locks.
 - Use the scissors (13) to make haircut even.
- Detach the universal attachment from the unit body. Use the brush (11) to clean both surfaces (inside and outside) of the attachment from the cut-off hair.
 - You can wash the attachment under a water jet, then wipe it dry.
 - Remove the blade block (5) by pressing on the upper part of the block on the blades side. Clean the blade block (5) and the inner cavity under the blade block (5) with the brush (11). Install the blade block (5) back to its place by inserting the bottom part of the block into the groove on the unit body and pressing the upper part of the block. A click of the locks shows that the blade block (5) is set properly.
 - Do not use solvents or abrasives for cleaning the unit set.
 - Lubricate the blades with oil (10) after every use.

Step 5 – the final part

In the final stage of hair cutting remove the universal attachment from the unit, turn the blades of the clipper towards the hair and trim hair on the temples and neck carefully (pic. 15). Do not press the clipper strongly, there is danger of injuries or cuts when open blades come in contact with the skin.

Cone-shaped haircut

Install the universal attachment (6) and select the required cutting length. Start cutting from the head back towards the crown. Cut the hair against the direction of the growth, from the front side towards the crown, and from the sides (pic. 16). To get a flat top haircut, use the comb (12): lift the hair locks and cut them along the comb. Comb the hair to reveal uneven locks.

CLEANING AND CARE

- Switch the hair clipper off after the use.
- Clean the hair clipper body with a soft, slightly damp cloth, and then wipe it dry.
- Never immerse the hair clipper, the blade block or the power adapter into water or other liquids.

STORAGE

- Clean the unit and lubricate the blades with lubricating oil (10) before taking it away for storage.
- Keep the unit away from children in a dry cool place.

DELIVERY SET

1. Hair clipper with blade block – 1 pc.
2. Universal attachment – 2 pc.
3. Power adapter – 1 pc.
4. Lubricating oil – 1 pc.
5. Cleaning brush – 1 pc.
6. Comb – 1 pc.
7. Scissors – 1 pc.
8. Instruction manual – 1 pc.

TECHNICAL SPECIFICATIONS

Hair clipper

Power consumption: 2.4 W
Built-in rechargeable batteries:
Ni-MH AA 2×1.2 V 600 mAh
Charging duration: 8 hours

Power adapter

Supply voltage: 110–240 V ~ 50/60 Hz, 0.2 A

Output voltage: 3 V $\overline{=}$ 1 A

Output current: 1000 mA

Power consumption: 5.3 W

The manufacturer reserves the right to change specifications of the unit without a preliminary notification

Unit operating life is 3 years

Guarantee

Details regarding guarantee conditions can be obtained from the dealer from whom the appliance was purchased. The bill of sale or receipt must be produced when making any claim under the terms of this guarantee.



This product conforms to the EMC-Requirements as laid down by the Council Directive 2004/108/EC and to the Low Voltage Regulation (2006/95/EC)

DEUTSCH

HAARSCHNEIDEMASCHINE VT-2568 BK

Die Haarschneidemaschine VT-2568 BK wird als Teil des Haarschneidesets vorgestellt und ist zum Haarschneiden und -filieren bestimmt.

BESCHREIBUNG

1. Anschlussstelle des Netzadapters
2. Betriebskontrollleuchte/
Ladezustandsanzeiger
3. „ON/OFF“-Netzschalter
4. Effilierkammsperre
5. Klingeneinheit
6. Universalaufsatz **3/6/9/12/15** mm
7. Universalaufsatz **18/21/24/27/30** mm
8. Aufsatzsperre
9. Netzadapter
10. Schmieröl
11. Reinigungsbürste
12. Kamm
13. Schere

SICHERHEITSMÄßNAHMEN

Vor der ersten Inbetriebnahme des Geräts lesen Sie diese Bedienungsanleitung aufmerksam durch und bewahren Sie diese für weitere Referenz auf. Benutzen Sie das Gerät nur bestimmungsmäßig und laut dieser Bedienungsanleitung. Nicht ordnungsgemäße Gerätenutzung kann zu seiner Störung führen und einen gesundheitlichen oder materiellen Schaden beim Nutzer hervorrufen.

- Vergewissern Sie sich vor dem Anschließen des Geräts ans Stromnetz für Akkumulatorkaufladung, dass die Netzspannung und die Betriebsspannung des Netzadapters übereinstimmen.
- Das Netzadapterkabel soll nicht:
 - mit heißen Gegenständen und Oberflächen in Berührung kommen,
 - ins Wasser getaucht werden,
 - über scharfe Möbelkanten gezogen werden,
 - als Griff zum Tragen des Geräts benutzt werden.

- Berühren Sie das Gehäuse des Netzadapters mit nassen Händen nicht.
- Benutzen Sie die Haarschneidemaschine nur fürs Schneiden vom trockenen Haar.
- Benutzen Sie die Haarschneidemaschine nur fürs Schneiden vom natürlichen Menschenhaar.
- Es ist nicht gestattet, das Gerät zum Schneiden vom künstlichen Haar und Tierhaar zu benutzen.
- Benutzen Sie nur die Aufsätze und den Netzadapter, die mitgeliefert werden.
- Benutzen Sie das Gerät in den Räumen mit erhöhter Temperatur und relativer Feuchtigkeit über 80% nicht.
- Es ist nicht gestattet, das Gerät draußen zu benutzen.
- Laden Sie den Akkumulator bei der Temperatur von +5°C bis +35°C auf.
- Benutzen Sie die Haarschneidemaschine mit beschädigten Aufsätzen oder Klingen nicht.
- **ACHTUNG!** Halten Sie das Gerät trocken. Es ist nicht gestattet, die Haarschneidemaschine und den Netzadapter ins Wasser oder jegliche andere Flüssigkeiten einzutauchen.
- Achten Sie darauf, dass die Klingen immer sauber und mit dem Schmieröl geschmiert sind.
- Nach jeder Nutzung der Haarschneidemaschine reinigen Sie die Aufsätze und die Klingeneinheit von geschnittenem Haar mit der Bürste.
- Lassen Sie das funktionierende Gerät nie unbeaufsichtigt.
- Schalten Sie die Haarschneidemaschine während der Betriebspausen oder wenn Sie sie nicht benutzen aus.
- Lassen Sie Kinder das Gehäuse des Netzadapters während der Akkumulatorkaufladung nicht berühren.
- Es ist nicht gestattet, Kindern das Gerät als Spielzeug zu geben.
- Dieses Gerät ist nicht für Gebrauch von Kindern geeignet.

- Während des Betriebs und der Pausen zwischen den Betriebszyklen stellen Sie das Gerät an einem für Kinder und behinderte Personen unzugänglichen Ort auf.
- Das Gerät ist nicht für Personen (einschließlich Kinder) mit reduzierten körperlichen, geistigen oder intellektuellen Fähigkeiten oder Personen ohne ausreichende Erfahrung und Kenntnisse geeignet, wenn sie sich unter Aufsicht der Person, die für ihre Sicherheit verantwortlich ist, nicht befinden oder keine Anweisungen über die Gerätenutzung erhalten haben.
- Besondere Vorsichtsmaßnahmen sind in den Fällen angesagt, wenn sich Kinder oder behinderte Personen in der Nähe vom funktionierenden Gerät aufhalten.
- Aus Kindersicherheitsgründen lassen Sie die Plastiktüten, die als Verpackung verwendet werden, nie ohne Aufsicht.

Achtung! Lassen Sie Kinder mit Plastiktüten oder Verpackungsfolien nicht spielen. **Erstickungsgefahr!**

- Es ist nicht gestattet, das Gerät selbstständig zu reparieren. Es ist nicht gestattet, das Gerät selbstständig auseinanderzunehmen, bei der Feststellung von Beschädigung oder im Sturzfall wenden Sie sich an einen autorisierten (bevollmächtigten) Kundendienst per Kontaktadresse im Garantieschein oder auf der Website www.vitek.ru.
- Um Beschädigungen zu vermeiden, transportieren Sie das Gerät nur in der Fabrikverpackung.
- Bewahren Sie das Gerät an einem trockenen, kühlen und für Kinder und behinderte Personen unzugänglichen Ort auf.
- **Falls das Gerät unter niedrigen Temperaturen transportiert oder aufbewahrt wurde, lassen Sie es bei der**

Raumtemperatur nicht weniger als drei Stunden bleiben.

DAS GERÄT IST NUR FÜR DEN GEBRAUCH IM HAUSHALT GEEIGNET

VOR DER ERSTEN INBETRIEBNAHME

- Packen Sie das Gerät völlig aus und entfernen Sie alle Aufkleber, die den Gerätebetrieb stören.
- Prüfen Sie die Ganzheit des Geräts, wenn das Gerät beschädigt ist, benutzen Sie es nicht.
- Vergewissern Sie sich vor dem Anschließen des Netzadapters, dass die Netzspannung und die Gerätebetriebsspannung übereinstimmen.
- Laden Sie den Akkumulator auf und schmieren Sie die Klingeneinheit nach den folgenden Empfehlungen.

Die Haarschneidemaschine kann sowohl vom Netzadapter, als auch vom eingebauten Akkumulator funktionieren.

Akkumulatoraufladung

Ein vollaufgeladener Akkumulator reicht ungefähr für **60** Minuten des ununterbrochenen Betriebs.

- Schalten Sie die Haarschneidemaschine aus, indem Sie den Netzschalter (3) in die Position «**OFF**» umstellen.
- Stecken Sie den Netzstecker des Netzadapters (9) in die Anschlussstelle (1) von der Unterseite des Gehäuses ein.
- Legen Sie die Haarschneidemaschine auf eine gerade und standfeste Oberfläche.
- Stecken Sie den Stecker des Netzadapters (9) in die Steckdose ein, dabei leuchtet der Ladezustandsanzeiger (2) rot.
- Die Zeit der Akku-Vollaufladung beträgt 8 Stunden, überschreiten Sie die Vollauffladezeit nicht, um die Akku-Nutzungsdauer nicht zu vermindern.

DEUTSCH

- Nachdem die Akkumulatoren aufgeladen werden, nehmen Sie den Netzadapter (9) aus der Steckdose heraus und ziehen Sie den Netzstecker des Netzadapters aus der Anschlussstelle (1) heraus, dabei erlischt der Ladezustandsanzeiger (2).
- Zum Abnehmen der Klingeneinheit stellen Sie die Haarschneidemaschine mit den Klingen nach oben und drücken Sie mit dem Daumen die Oberkante der Klingeneinheit, um diese aus dem Sperrahmen laut der **Abb. 1**, loszulassen.

Achtung:

- **Die ersten zwei oder drei Aufladungen sollen 12 Stunden dauern. Weitere Aufladungen sollen nicht mehr als 8 Stunden dauern.**
- **Für eine längere Nutzungsdauer der Akkumulatoren sollen sie vor jedem weiteren Aufladen vollständig entladen werden.**
- **Laden Sie die Akkumulatoren bei der Temperatur von nicht unter +5°C und nicht über +35°C.**
- **Falls Sie die Haarschneidemaschine innerhalb von einem Monat und mehr nicht benutzt haben, laden Sie diese vor der Nutzung vollständig auf.**
- **Lassen Sie das ans Stromnetz angeschlossene Gerät nie unbeaufsichtigt.**
- Die Punkte zum Auftragen von Schmieröl werden mit den Zeigern in **Abb. 2** bezeichnet. Tragen Sie nicht mehr als 1 Öltropfen auf jeden Punkt auf.
- Zum Aufstellen der Klingeneinheit setzen Sie zuerst deren Unterteil in den Aufstellplatz ein und dann drücken Sie vorsichtig die Oberkante der Klingen bis zum Einrastknacken, siehe **Abb. 3**.
- Lassen Sie die Haarschneidemaschine ungefähr 30 Sekunden lang funktionieren, damit das Öl auf den aufeinandergleitenden Oberflächen verteilt. Danach entfernen Sie überschüssiges Öl mit einem trockenen Tuch oder Papiertuch.

Anmerkungen:

- *Schmieren Sie die Klingen nach jedem Gebrauch der Haarschneidemaschine ein.*
- *Benutzen Sie nur das mitgelieferte Öl (10).*
- *Es ist nicht gestattet, das Pflanzenöl oder das Lösungsmittel enthaltende Öl zu benutzen. Die Lösungsmittel können verdunsten, und das zähflüssige Restöl kann die Klingengeschwindigkeit verlangsamen.*

Nutzung des Netzadapters

Bei der Speisung vom Netzadapter ist das Gerät immer betriebsbereit.

Wenn Sie die Haarschneidemaschine bei teilweise entladem Akkumulator weiter benutzen möchten, schließen Sie den Netzstecker des Netzadapters (9) an die Anschlussstelle der Haarschneidemaschine (1) von der Unterseite des Gehäuses an, stecken Sie den Stecker des Netzadapters (9) in die Steckdose ein, schalten Sie die Haarschneidemaschine ein, indem Sie den Netzschalter (3) in die Position «ON» umstellen, dabei wird die Betriebskontrolleuchte (2) rot leuchten.

Schmieren der Klingeneinheit

Vor dem ersten Gebrauch nehmen Sie die Klingeneinheit (5) ab und schmieren Sie diese mit dem Öl (10) (mitgeliefert).

Universalaufsätze (6) und (7)

Jeder von den Universalaufsätzen (6) und (7) hat 5 Positionen für verschiedene Haarschnittlänge, die auf der Skala links vom Aufsatz angegeben sind:

- der Universalaufsatz (6): 3 mm, 6 mm, 9 mm, 12 mm, 15 mm, siehe **Abb. 4**;
 - der Universalaufsatz (7): 18 mm, 21 mm, 24 mm, 27 mm, 30 mm, siehe **Abb. 5**.
- Die Skala wird links von jedem Universalaufsatz so aufgetragen, dass

die gewählte Haarschnittlänge (in mm) gegenüber dem Symbol «▼_{mm}» am Seitenfläche linkerseits am Gehäuse der Haarschneidemaschine angezeigt wird.

- Vor dem Aufstellen, Abtrennen und Ersetzen des Universalaufsatzes schalten Sie das Gerät aus, indem Sie den Schalter **(3)** in die Position «OFF» stellen, beim Gerätebetrieb vom Netzadapter ziehen Sie diesen aus der Steckdose heraus.
- Zum Aufstellen des Universalaufsatzes setzen Sie seine Führungen in die entsprechenden Aussparungen am Gehäuse der Haarschneidemaschine, und schieben Sie diesen auf die gewählte Haarschnittlänge nach der Skala um, indem Sie die Sperre drücken **(8)**, siehe **Abb. 6**.
- Zum Abnehmen des Universalaufsatzes **(6)** oder **(7)** drücken Sie die Sperre **(8)** und ziehen Sie den Aufsatz nach oben.

Haarfilieren-Funktion

Das Gerät hat eine Effilierfunktion, die die Frisurenform durch künstliche Ausdünnung des Haarvolumen visuell zu verbessern lässt. Das Filieren macht die Frisur nicht nur leichter, sondern auch unterstreicht die Haartextur. Durch die Ausdünnung bleibt die modellierte Frisurenform lang unverändert. Das Haarfilieren ist das Abscheren von einzelnen Strähnen. Es ermöglicht, einen gleichmäßigen Übergang zwischen den Haarsträhnen verschiedener Länge zu erzielen. Das Haarfilieren wird am Ende des Haarschneidens gemacht.

Zum Ausziehen des Effilierkamms stellen Sie die Sperre **(4)** nach links bis zum Anschlag um. Zum Zuziehen des Effilierkamms stellen Sie die Sperre **(4)** nach rechts bis zum Anschlag um (**Abb. 7, 8**).

NUTZUNG DER HAARSCHNEIDEMASCHINE

- Für den Akkubetrieb laden Sie den Akkumulator nach den obigen Empfehlungen voll auf.
- Für den Netzbetrieb schließen Sie den Netzstecker des Netzadapters **(9)** an die Anschlussstelle der Haarschneidemaschine **(1)** von der Unterseite des Gehäuses an und stecken Sie den Stecker des Netzadapters **(9)** in die Steckdose ein.

Haarschneiden

- Das Haar soll sauber und trocken sein.
- Schalten Sie die Haarschneidemaschine vor dem Haarschneiden ein, indem Sie den Netzschalter **(3)** in die Position «ON» umstellen, dabei wird die Betriebskontrolleuchte **(2)** rot leuchten.
- Vergewissern Sie sich, dass das Gerät störungsfrei funktioniert und die Klingen sich gleichmäßig bewegen. Falls das Öl an den Klingen übrig bleibt, entfernen Sie es mit einem trockenen Tuch.
- Achten Sie beim Betrieb der Haarschneidemaschine vom Netzadapter auf den Zustand des Netzadapterkabels auf, drehen Sie es vielfach nicht ab, schalten Sie die Haarschneidemaschine periodisch aus und richten Sie das Netzadapterkabel aus.
- Schalten Sie das Gerät aus, indem Sie den Netzschalter **(3)** in die Position „OFF“ umstellen, dann setzen Sie den Universalaufsatz **(6)** oder **(7)** auf.
- Setzen Sie den Menschen so hin, dass sich sein Kopf annähernd auf ihrer Augenhöhe befindet, bedecken Sie die Schultern mit einem Handtuch, kämmen Sie sein Haar mit dem Kamm **(12)**.
- Schalten Sie das Gerät ein, indem Sie den Netzschalter **(3)** in die Position «ON» umstellen, dabei wird die Betriebskontrolleuchte **(2)** rot leuchten.

DEUTSCH

- Nach dem Gerätebetrieb stellen Sie den Netzschalter **(3)** in die Position «**OFF**» um, dabei erlischt die Betriebskontrollleuchte **(2)**.

Anmerkungen:

- Jedes Mal während der Betriebspausen schalten Sie die Haarschneidemaschine aus.
- Vor dem Ersetzen des Aufsatzes schalten Sie die Haarschneidemaschine aus, und beim Netzbetrieb trennen Sie den Netzadapter vom Stromnetz ab.

Mahnungen:

- Schneiden Sie kleine Haarmengen in einem Zug, Sie können zum beschnittenen Bereich jederzeit zurückkehren und das Haar noch kürzer machen.
- Die besten Ergebnisse werden eher beim trockenen, als beim feuchten Haarschneiden erzielt.
- Kämmen Sie das Haar mit dem Kamm **(12)**, um ungerade Haarsträhnen festzustellen.
- Es ist empfohlen, beim ersten Betrieb weniger Haar abzuschneiden.
- Nach einiger Zeit können Sie nach der Beherrschung des Geräts gewünschte Frisuren selbständig modellieren.

ANWEISUNGEN ZUM HAARMODELLIEREN

Schritt 1

Stellen Sie den Universalaufsatz **(6)** in die Position «**3**» oder «**6**» ein. Schalten Sie die Haarschneidemaschine ein, indem Sie den Netzschalter **(3)** in die Position «**ON**» umstellen. Halten Sie das die Haarschneidemaschine so, dass die Klingen nach oben gerichtet sind. Beginnen Sie das Haarschneiden vom unteren Teil des Kopfes. Bewegen Sie langsam die Haarschneidemaschine von unten nach oben. Schneiden Sie das ganze Haar am unteren Hinterkopf und rund um die Ohren (**Abb. 9, 10, 11**).

Schritt 2

Schalten Sie die Haarschneidemaschine aus, stellen Sie den Aufsatz in die Position «**9**» oder «**12**», schalten Sie die Haarschneidemaschine ein und setzen Sie das Haarschneiden näher zum Scheitel fort (**Abb. 12**).

Schritt 3 – Schneiden der Koteletten

Schalten Sie die Haarschneidemaschine aus, stellen Sie den Universalaufsatz in die Position «**3**» oder «**6**» und schneiden Sie die Koteletten. Danach stellen Sie ihn in die Position «**9**» oder «**12**» und setzen Sie das Haarschneiden in der Richtung zum Scheitel fort.

Schritt 4 – Schneiden im

Scheitelbereich

Schneiden Sie das Haar in der Richtung vom Scheitel zum Haarwirbel gegen den Haarwuchs mit den Universalaufsätzen.

- Das Haar kann man sowohl gegen den Haarwuchs, als auch in der Haarwuchs-Richtung schneiden, beachten Sie dabei, dass das Haar, das gegen den Haarwuchs geschnitten wird, kürzer als das in der Haarwuchs-Richtung geschnittene Haar ist.
- Benutzen Sie die Positionen des Universalaufsatzes **(6)** «**3**» oder «**6**» für den kürzesten Haarschnitt. Um etwas längeres Haar zu erzielen, benutzen Sie die folgenden Aufsatzpositionen.
- Um noch längeres Haar zu erzielen, benutzen Sie den Universalaufsatz **(7)**.
- Um längeres Haar zu erzielen, drücken Sie die Haarsträhnen zwischen den Fingern zusammen und schneiden Sie diese mit der Haarschneidemaschine ab (**Abb. 13**).
- Sie können den Kamm **(12)** benutzen: heben Sie die Haarsträhnen und schneiden Sie diese mit der Haarschneidemaschine über den Kamm (**Abb. 14**).

- Beginnen Sie das Haarschneiden immer vom Hinterkopf.
- Kämmen Sie das Haar mit dem Kamm (12), um ungerade Haarsträhnen festzustellen.
- Benutzen Sie die Schere (13) fürs Nachschneiden.

Schritt 5 – Schlussteil

In der letzten Stufe des Frisurmodellierens nehmen Sie den Universalaufsatz ab, wenden Sie die Haarschneidemaschine mit den Klingen dem Haar zu und schneiden Sie die Koteletten und das Haar am Nacken vorsichtig nach (Abb. 15). Um Hautverletzung oder Schnittwunden durch die offenen Klingen zu vermeiden, drücken Sie die Haarschneidemaschine kräftig nicht.

Konusförmiger Schnitt

Setzen Sie den Universalaufsatz (6) auf und wählen Sie die notwendige Haarschnittlänge. Beginnen Sie das Haarschneiden vom Hinterkopf zum Haarwirbel. Schneiden Sie das Haar gegen den Haarwuchs vom Vorderteil des Kopfes zum Haarwirbel und an den Kopfseiten (Abb. 16). Um den Haarwirbel flach zu schneiden, benutzen Sie den Kamm (12): heben Sie die Haarsträhnen und schneiden Sie sie über dem Kamm. Kämmen Sie das Haar mit dem Kamm, um ungerade Haarsträhnen festzustellen.

REINIGUNG UND PFLEGE

- Schalten Sie die Haarschneidemaschine nach der Nutzung aus.
- Wischen Sie das Gehäuse der Haarschneidemaschine mit einem weichen, leicht angefeuchteten Tuch ab, danach trocknen Sie es ab.
- Tauchen Sie die Haarschneidemaschine, die Klingeneinheit und den Netzadapter ins Wasser oder jegliche andere Flüssigkeiten nicht ein.

- Nehmen Sie den Universalaufsatz vom Gehäuse ab. Entfernen Sie geschnittene Haarreste von beiden (äußerer und innerer) Oberflächen des Aufsatzes mit der Bürste (11).
- Sie können den Aufsatz unter dem Wasserstrahl abspülen, danach trocknen Sie ihn ab.
- Nehmen Sie die Klingeneinheit (5) ab, indem Sie auf deren Oberteil von der Seite der Klingen drücken. Reinigen Sie die Klingeneinheit (5) und den inneren Hohlraum der Haarschneidemaschine unter der Klingeneinheit (5) mit der Bürste (11). Stellen Sie die Klingeneinheit (5) zurück auf, indem Sie den Unterteil der Einheit in die Aussparung am Gehäuse einsetzen und den Oberteil der Einheit drücken. Das Knacken der Sperren zeugt von der richtigen Aufstellung der Klingeneinheit (5).
- Es ist nicht gestattet, Abrasiv- oder Lösungsmittel zur Reinigung des Haarschneidesets zu benutzen.
- Schmieren Sie die Klingen mit Öl (10) nach jedem Gebrauch ein.

AUFBEWAHRUNG

- Bevor Sie das Gerät zur Aufbewahrung wegnehmen, reinigen Sie es und schmieren Sie die Klingen mit Öl (10) ein.
- Bewahren Sie das Gerät an einem trockenen, kühlen und für Kinder unzugänglichen Ort auf.

LIEFERUMFANG

1. Haarschneidemaschine mit der Klingeneinheit – 1 St.
2. Universalaufsatz – 2 St.
3. Netzadapter – 1 St.
4. Schmieröl – 1 St.
5. Reinigungsbürste – 1 St.
6. Kamm – 1 St.
7. Schere – 1 St.
8. Bedienungsanleitung – 1 St.

DEUTSCH

TECHNISCHE EIGENSCHAFTEN Haarschneidemaschine

Leistung: 2,4 W

Eingebaute Akkumulatoren:

Ni-MH AA 2×1,2 V 600 mAh.

Aufladezeit: 8 Stunden

Netzadapter

Stromversorgung:

110–240 V ~ 50/60 Hz 0,2 A

Ausgangsspannung: 3 V \equiv 1 A

Ausgangsstrom: 1000 mA

Aufnahmeleistung: 5,3 W

Der Hersteller behält sich das Recht vor, Design und technische Eigenschaften der Geräte ohne Vorbenachrichtigung zu verändern

Nutzungsdauer des Geräts beträgt 3 Jahre

Gewährleistung

Ausführliche Bedingungen der Gewährleistung kann man beim Dealer, der diese Geräte verkauft hat, bekommen. Bei beliebiger Anspruchserhebung soll man während der Laufzeit der vorliegenden Gewährleistung den Check oder die Quittung über den Ankauf vorzulegen.

CE *Das vorliegende Produkt entspricht den Forderungen der elektromagnetischen Verträglichkeit, die in 2004/108/EC – Richtlinie des Rates und den Vorschriften 2006/95/EC über die Niederspannungsgeräte vorgesehen sind.*

МАШИНКА ДЛЯ СТРИЖКИ ВОЛОС VT-2568 BK

Машинка для стрижки волос VT-2568 BK представлена в составе набора для стрижки и предназначена для стрижки и филировки волос.

ОПИСАНИЕ

1. Гнездо для подключения сетевого адаптера
2. Индикатор включения/зарядки
3. Выключатель питания «ON/OFF»
4. Фиксатор филировочного гребня
5. Блок лезвий
6. Универсальная насадка
3/6/9/12/15 мм
7. Универсальная насадка
18/21/24/27/30 мм
8. Фиксатор насадки
9. Сетевой адаптер
10. Смазочное масло
11. Щёточка для чистки
12. Расчёска
13. Ножницы

МЕРЫ БЕЗОПАСНОСТИ

Перед началом использования устройства внимательно прочитайте данную инструкцию и сохраняйте её в качестве справочного материала в течение всего срока эксплуатации. Используйте устройство только по его прямому назначению, как изложено в данной инструкции. Неправильное обращение с устройством может привести к его поломке, причинению вреда пользователю или его имуществу.

- Перед первым подключением устройства к электрической сети для зарядки аккумуляторной батареи убедитесь, что напряжение электрической сети соответствует рабочему напряжению сетевого адаптера.
- Шнур сетевого адаптера не должен:
 - соприкасаться с горячими предметами и поверхностями,

- погружаться в воду,
- протягиваться через острые кромки мебели,
- использоваться в качестве ручки для переноски устройства.
- Не прикасайтесь к корпусу сетевого адаптера мокрыми руками.
- Используйте машинку только для стрижки сухих волос.
- Используйте машинку только для стрижки естественных человеческих волос.
- Запрещается использовать устройство для стрижки искусственных волос и волос животных.
- Используйте только насадки и сетевой адаптер, входящие в комплект поставки.
- Не используйте устройство в местах с повышенной температурой и относительной влажностью более 80%.
- Запрещается использовать прибор вне помещений.
- Производите зарядку аккумуляторной батареи при температуре от +5°C до +35°C.
- Запрещается использовать машинку с повреждёнными насадками или лезвиями.

ВНИМАНИЕ! Содержите прибор сухим. Запрещается погружать машинку и сетевой адаптер в воду или в любые другие жидкости.

- Всегда следите за чистотой лезвий и наличием на них смазочного масла.
- После каждого использования машинки очищайте насадки и блок лезвий от срезанных волос при помощи щёточки.
- Никогда не оставляйте работающее устройство без присмотра.
- Выключайте машинку в перерывах в работе или когда вы ею не пользуетесь.
- Не разрешайте детям прикасаться к корпусу сетевого адаптера во время зарядки устройства.

- Не разрешайте детям использовать устройство в качестве игрушки.
- Данное устройство не предназначено для использования детьми.
- Во время работы и в перерывах между рабочими циклами размещайте устройства в местах, недоступных для детей и людей с ограниченными способностями.
- Прибор не предназначен для использования лицами (включая детей) с пониженными физическими, психическими или умственными способностями или при отсутствии у них опыта или знаний, если они не находятся под контролем или не проинструктированы об использовании прибора лицом, ответственным за их безопасность.
- Будьте особенно внимательны, если поблизости от работающего устройства находятся дети или лица с ограниченными способностями.
- Из соображений безопасности детей не оставляйте полиэтиленовые пакеты, используемые в качестве упаковок, без надзора.

Внимание! Не разрешайте детям играть с полиэтиленовыми пакетами или плёнкой. **Опасность удушья!**

- Запрещается самостоятельно ремонтировать прибор. Не разбирайте прибор самостоятельно, при возникновении любых неисправностей, а также после падения устройства выключите прибор из электрической розетки и обратитесь в любой авторизованный (уполномоченный) сервисный центр по контактным адресам, указанным в гарантийном талоне и на сайте www.vitek.ru.
- Во избежание повреждений перевозите устройство только в заводской упаковке.
- Храните устройство в сухом прохладном месте, недоступном для детей

и людей с ограниченными возможностями.

- **После транспортировки или хранения устройства при пониженной температуре необходимо выдерживать его при комнатной температуре не менее трёх часов.**

УСТРОЙСТВО ПРЕДНАЗНАЧЕНО ТОЛЬКО ДЛЯ БЫТОВОГО ИСПОЛЬЗОВАНИЯ

ПЕРЕД ПЕРВЫМ ИСПОЛЬЗОВАНИЕМ

- Полностью распакуйте устройство и удалите любые наклейки, мешающие работе устройства.
- Проверьте целостность устройства, при наличии повреждений не пользуйтесь им.
- Перед включением сетевого адаптера убедитесь, что напряжение электрической сети соответствует рабочему напряжению устройства.
- Произведите зарядку аккумуляторной батареи и смазку блока лезвий в соответствии с указанными ниже рекомендациями.

Машинка для стрижки волос может работать от сетевого адаптера и от встроенной аккумуляторной батареи.

Зарядка аккумуляторной батареи

Зарядка полностью заряженной аккумуляторной батареи хватает приблизительно на **60** минут непрерывной работы.

- Выключите машинку, установив выключатель питания (3) в положение «OFF».
- Вставьте штекер шнура сетевого адаптера (9) в гнездо машинки (1) с нижней стороны корпуса.
- Положите машинку на ровную устойчивую поверхность.
- Вставьте вилку сетевого адаптера (9) в электрическую розетку, при этом индикатор зарядки (2) загорится красным цветом.

Время полной зарядки аккумуляторной батареи составляет 8 часов, во избежание сокращения срока службы аккумуляторов не превышайте время полной зарядки.

- После того, как аккумуляторы будут заряжены, извлеките сетевой адаптер (9) из электрической розетки и извлеките штекер провода сетевого адаптера из гнезда (1), индикатор зарядки (2) при этом погаснет.

Внимание:

- *Перед первым использованием первые 2-3 раза заряжайте машинку в течение 12 часов. Продолжительность последующих зарядок не должна превышать 8 часов.*
- *Для того чтобы обеспечить длительный срок службы аккумуляторов, они должны быть полностью разряжены перед каждой последующей зарядкой.*
- *Производите зарядку аккумуляторов при температуре не ниже +5°C и не выше +35°C.*
- *Если Вы не пользовались машинкой в течение месяца и более, полностью зарядите её перед использованием.*
- *Не оставляйте включённое в сеть устройство без присмотра.*

Использование сетевого адаптера

При питании от сетевого адаптера устройство всегда готово к использованию.

Если вы хотите продолжить использование машинки при частично разряженном аккумуляторе, подключите штекер шнура сетевого адаптера (9) в гнездо машинки (1) с нижней стороны корпуса, вставьте вилку сетевого адаптера (9) в электрическую розетку, включите машинку, установив выключатель питания (3) в положение «ON», при этом

индикатор включения (2) будет гореть красным цветом.

Смазка блока лезвий

Перед первым использованием снимите блок лезвий (5) и смажьте его маслом (10) (входит в комплект поставки).

- Для снятия блока лезвий расположите машинку лезвиями вверх и надавите большим пальцем на верхнюю кромку блока лезвий, чтобы освободить его из фиксирующей рамки, как показано на **рис. 1**.
- Точки нанесения смазочного масла обозначены стрелками на **рис. 2**. В каждую точку нанесите не более 1 капли масла.
- Для установки блока лезвий сначала установите нижнюю его часть в посадочное место, а затем аккуратно нажмите на верхнюю кромку лезвий до щелчка для фиксации, см. **рис. 3**.
- Дайте машинке поработать примерно 30 секунд, чтобы масло распределилось по трущимся поверхностям. После этого удалите излишки масла сухой тканью или бумажной салфеткой.

Примечания:

- Смазывайте лезвия после каждого использования машинки.
- Используйте только то масло (10), которое входит в комплект поставки.
- Не используйте растительное масло или масло, в состав которого входят растворители. Растворители подвержены испарению, а оставшееся густое масло может замедлить скорость перемещения лезвий.

Универсальные насадки (6) и (7)

Каждая из универсальных насадок (6) и (7) имеет 5 положений для разной длины срезаемых волос, которые указаны на шкале, расположенной с левой стороны насадки:

РУССКИЙ

- универсальная насадка (6): 3 мм, 6 мм, 9 мм, 12 мм, 15 мм, см. **рис. 4**;
- универсальная насадка (7): 18 мм, 21 мм, 24 мм, 27 мм, 30 мм, см. **рис. 5**;
- Шкала нанесена с левой стороны каждой универсальной насадки таким образом, что выбранное значение длины срезаемых волос (в мм), отображается напротив символа «▼mm», расположенного на боковой поверхности корпуса машинки с левой стороны.
- Перед установкой, снятием или заменой универсальной насадки выключите устройство, установив выключатель (3) в положение «OFF», при работе от сетевого адаптера извлеките его из электрической розетки.
- Чтобы установить универсальную насадку, вставьте её направляющие в соответствующие пазы в корпусе машинки, и, нажав на фиксатор (8), сдвиньте её на выбранную длину срезаемых волос в соответствии со шкалой, см. **рис. 6**.
- Для снятия универсальной насадки (6) или (7) нажмите на фиксатор (8) и потяните насадку по направлению вверх.

Функция филировки волос

В устройстве доступна функция филировки, которая позволяет визуально улучшить форму причёски за счёт искусственного прореживания объёма волос. Филировка не только облегчает причёску, но и подчёркивает текстуру волос. Благодаря прореживанию смоделированная форма стрижки долго сохраняется в неизменном виде. Филировка – выстригание отдельных прядей. Она позволяет добиться плавного перехода между прядями различной длины. Филировку выполняют на завершающем этапе стрижки.

Для выдвижения филировочного гребня переместите фиксатор (4) влево до упора. Чтобы убрать филировочный гребень, переместите фиксатор (4) до упора вправо (см. **рис. 7, 8**).

ИСПОЛЬЗОВАНИЕ МАШИНКИ ДЛЯ СТРИЖКИ

- Для работы от аккумуляторной батареи произведите полную её зарядку в соответствии с рекомендациями, описанными выше.
- Для работы от электрической сети подключите штекер шнура сетевого адаптера (9) в гнездо машинки (1) с нижней стороны корпуса и вставьте вилку сетевого адаптера (9) в электрическую розетку.

Стрижка волос

- Волосы должны быть чистыми и сухими.
- Перед началом стрижки включите машинку, переместив выключатель питания (3) в положение «ON», при этом индикатор включения (2) будет гореть красным цветом.
- Убедитесь, что устройство работает без сбоев, а ход лезвия – плавный. При избытке на лезвиях смазочного масла удалите его с помощью сухой ткани.
- Если вы работаете с машинкой, подключённой к сетевому адаптеру, следите за состоянием шнура сетевого адаптера, не допускайте его многократного перекручивания, периодически отключайте машинку и расправьте шнур сетевого адаптера.
- Выключите устройство, установив выключатель питания (3) в положение «OFF», затем установите универсальную насадку (6) или (7).
- Посадите человека таким образом, чтобы его голова была примерно на уровне ваших глаз, прикройте плечи

полотенцем, расчешите волосы при помощи расчёски (12).

- Включите устройство, установив выключатель питания (3) в положение «ON», при этом индикатор включения (2) будет гореть красным цветом.
- После завершения работы с устройством установите выключатель питания (3) в положение «OFF», индикатор включения (2) при этом погаснет.

Примечания:

- *Всякий раз во время перерывов в работе выключайте машинку.*
- *Перед заменой насадки выключайте машинку и, если машинка работает от электрической сети, вынимайте сетевой адаптер из электрической розетки.*

Напоминания:

- *Срезайте небольшое количество волос за один проход, к уже подстриженному участку всегда можно вернуться и дополнительно укоротить волосы.*
- *Наилучшие результаты стрижки достигаются при работе с сухими, а не влажными волосами.*
- *Расчёсывайте волосы расчёской (12) для выявления неровных прядей.*
- *Для первого раза лучше оставить после стрижки более длинные волосы.*
- *По мере освоения устройства вы сможете самостоятельно моделировать необходимые причёски.*

**ИНСТРУКЦИЯ
ПО МОДЕЛИРОВАНИЮ ПРИЧЁСКИ
Шаг 1**

Установите универсальную насадку (6) в положение «3» или «6». Включите машинку, переместив выключатель питания (3) в положение «ON». Держите машинку таким образом, чтобы лезвия были направлены вверх. Начинайте стрижку с нижней части голо-

ву. Медленно перемещайте машинку по направлению вверх. Подстригите все волосы снизу задней части головы и около ушей (рис. 9, 10, 11).

Шаг 2

Отключите машинку, установите насадку в положение «9» или «12», включите машинку и продолжайте стричь волосы ближе к макушке (рис. 12).

Шаг 3 – стрижка в области висков

Отключите машинку, установите универсальную насадку в положение «3» или «6» и подстригите волосы на висках. Затем установите её в положение «9» или «12» и продолжайте стрижку по направлению к макушке.

Шаг 4 – стрижка в области темени

Используя универсальные насадки, стригите волосы по направлению от макушки к темени, против направления роста волос.

- Волосы можно стричь против направления роста и по направлению роста, но имейте в виду, что волосы, подстриженные против направления их роста, будут короче волос, подстриженных по направлению роста.
- Используйте положения универсальной насадки (6) «3» или «6» для очень короткой стрижки. Чтобы оставить волосы немного длиннее используйте следующие положения насадки.
- Чтобы оставить волосы ещё длиннее, используйте универсальную насадку (7).
- Чтобы оставить более длинные волосы, зажимайте пряди волос между пальцами и состригайте их машинкой (рис. 13).
- Можно использовать расчёску (12): приподнимайте пряди волос и состригайте их машинкой поверх расчёски (рис. 14).

РУССКИЙ

- Всегда начинайте стрижку с задней части головы.
- Расчёсывайте волосы расчёской (12) для выявления неровных прядей.
- Используйте ножницы (13) для подравнивания волос.

Шаг 5 – заключительная часть

В заключительной стадии моделирования причёски снимите универсальную насадку, разверните машинку лезвиями в сторону волос и аккуратно подравняйте волосы на висках и на шее (рис. 15). Не давите на машинку с усилием, при контакте открытых лезвий с кожей можно нанести себе травму или порезы.

Конусообразная стрижка

Установите универсальную насадку (6) и выберите необходимую длину срезаемых волос. Начните стрижку с задней части головы по направлению к макушке. Подстригите волосы против направления их роста с передней части головы по направлению к макушке и с боков (рис. 16). Для получения стрижки с плоской макушкой используйте расчёску (12): приподнимайте и состригайте пряди волос по расчёске. Расчёсывайте волосы расчёской для выявления неровных прядей.

ЧИСТКА И УХОД

- Выключите машинку после использования.
- Корпус машинки протирайте мягкой, слегка влажной тканью, после чего вытрите насухо.
- Запрещается погружать машинку, блок лезвий и сетевой адаптер в воду или в любые другие жидкости.
- Снимите универсальную насадку с корпуса. Щёткой (11) удалите остатки состриженных волос с обеих

поверхностей насадки (внешней и внутренней).

- Вы можете промыть насадку под струёй воды, после чего вытрите её насухо.
- Снимите блок лезвий (5), нажав на верхнюю часть блока со стороны лезвий. Щёткой (11) очистите блок лезвий (5) и внутреннюю полость машинки под блоком лезвий (5). Установите блок лезвий (5) на место, вставив нижнюю часть блока в паз на корпусе и нажав на верхнюю часть блока. Щелчок фиксаторов свидетельствует о правильной установке блока лезвий (5).
- Запрещается использовать для чистки набора для стрижки растворители или абразивные чистящие средства.
- После каждого использования смажьте лезвия маслом (10).

ХРАНЕНИЕ

- Прежде чем убрать устройство на хранение, произведите его чистку и смажьте лезвия маслом (10).
- Храните устройство в сухом прохладном месте, недоступном для детей.

КОМПЛЕКТ ПОСТАВКИ

1. Машинка для стрижки с блоком лезвий – 1 шт.
2. Универсальная насадка – 2 шт.
3. Сетевой адаптер – 1 шт.
4. Смазочное масло – 1 шт.
5. Щётка для чистки – 1 шт.
6. Расчёска – 1 шт.
7. Ножницы – 1 шт.
8. Инструкция – 1 шт.

ТЕХНИЧЕСКИЕ ХАРАКТЕРИСТИКИ

Машинка для стрижки

Мощность: 2,4 Вт

Встроенные аккумуляторные

батареи: Ni-MH AA 2x1,2 В 600 мАч

Продолжительность зарядки: 8 часов

Сетевой адаптер

Напряжение питания:
110–240 В ~ 50/60 Гц 0,2 А
Выходное напряжение: 3 В --- 1 А
Выходной ток: 1000 мА
Потребляемая мощность: 5,3 Вт

Производитель оставляет за собой право изменять характеристики приборов без предварительного уведомления

Срок службы прибора – 3 года

EAC Данное изделие соответствует всем требуемым европейским и российским стандартам безопасности и гигиены.

Изготовитель:

АНДЕР ПРОДАКТС ГмбХ, Австрия

Адрес: Нойбаугюртель 38/7А,
1070 Вена, Австрия.

Информация для связи –

email: anderproduct@gmail.com

Информация об Импортере указана на индивидуальной упаковке.

Информация об авторизованных (уполномоченных) сервисных центрах указана в гарантийном талоне и на сайте www.vitek.ru

Единая справочная служба:
+7(495) 921-01-70

Сделано в Китае

ҚАЗАҚ

VT-2568 BK ШАШ ҚЫРҚАТЫН МАШИНКА
Шаш қырқатын машинка VT-2568 BK қырқуға арналған жинақ құрамында берілген және шашты қырқуға және филировка жасауға арналған.

СИПАТТАМАСЫ

1. Желі бейімдегішін қосуға арналған ұя
2. Қосе/зарядтау индикаторы
3. Қоректенуді сөндіру «ON/OFF»
4. Филировка тарағын бекіткіш
5. Жүздер блогі
6. Әмбебап қондырма 3/6/9/12/15 мм
7. Әмбебап қондырма 18/21/24/27/30 мм
8. Қондырма бекіткіші
9. Желі бейімдегіші
10. Майлағыш май
11. Тазартуға арналған қылшақ
12. Тарақ
13. Қайшылар

ҚАУІПСІЗДІК ШАРАЛАРЫ

Құрылғыны қолдану алдында пайдалану нұсқаулығын мұқият оқып шығыңыз және оны анықтағыш материал ретінде пайдалану үшін тұтыну мерзімі бойы сақтаңыз. Құрылғыны осы нұсқаулықта айтылғандай, тікелей тағайыны бойынша пайдаланыңыз. Құралды дұрыс пайдаланбау жағдайы оның бұзылуына өкеліп соғуы, пайдаланушыға немесе оның мүлкіне зиян келтіруі мүмкін.

- Аккумулятор батареясын зарядттау үшін құрылғыны электр желісіне алғаш қосар алдында желі бейімдегішінің кернеуі құрылғының жұмыс кернеуіне сәйкестігіне көз жеткізіңіз.
- Желі бейімдегіші бауын болмайды:
 - ыстық заттар мен беттерге тигізуге,
 - суға батыруға,
 - жиһаздың өткір қырларынан өткізуге,
 - құрылғыны тасымалдау үшін тұтқа ретінде пайдалануға.
- Желі бейімдегіші корпусына су қолыңызбен тиіспеніз.
- Машинканы тек құрғақ шашты қырқу үшін пайдаланыңыз.

- Машинканы тек адамның табиғи шашын қырқу үшін пайдаланыңыз.
- Құрылғыны жасанды шаш пен жануарлар шашын қырқу үшін пайдалануға тыйым салынады.
- Жеткізілім жиынтығына кіретін қондырмалар мен желі бейімдегішін ғана пайдаланыңыз.
- Құрылғыны температурасы жоғары және салыстырмалы ылғалдылығы 80%-дан асатын жерде пайдаланбаңыз.
- Үй-жайлардан тыс жерде пайдалануға тыйым салынады.
- Аккумулятор батареясын зарядтауды +5°C-тан бастап +35°C-қа дейінгі температурада жасаңыз.
- Жүзі мен қондырмалары зақымданған машинканы пайдалануға тыйым салынады.
- **НАЗАР АУДАРЫҢЫЗ!** Құралды құрғақ ұстаңыз. Машинканы және желі бейімдегішін суға немесе кез келген басқадай сұйықтыққа батыруға тыйым салынады.
- Жүздерінің таза болуын және оларда майлағыш майының болуын қадағалаңыз.
- Машинканы әр пайдаланудан соң қондырмалары мен жүздер блогін қылшақ арқылы қиылған шаштан тазартыңыз.
- Жұмыс істеп тұрған құрылғыны ешқашан қараусыз қалдырмаңыз.
- Жұмыс барысындағы үзілістерде немесе оны пайдаланбаған кезде машинканы сөндіріңіз.
- Балаларға құрылғыны зарядтау кезінде желі бейімдегішінің корпусына тиісуге рұқсат етпеңіз.
- Балаларға құрылғыны ойыншық ретінде пайдалануға рұқсат етпеңіз.
- Осы құрылғы балалар пайдалануға тағайындалмаған.
- Жұмыс істеу барысында және жұмыс айналымдары арасындағы үзілістерде құрылғыны балалардың және қабілеттері

шектеулі адамдардың қолы жетпейтін жерге орнатыңыз.

- Құрал физикалық, психикалық қабілеттері төмен және ақыл-есі кемдеу (соның ішінде балалар да) тұлғалардың пайдалануына тағайындалмаған немесе олардың білімдері мен тәжірибесі болмаса, егер оларға құрылғыны пайдалану туралы нұсқаулық берілмесе немесе қауіпсіздігіне жауапты тұлғаның қадағалауында болмаса.
- Жұмыс істеп тұрған құрылғының жанында балалар немесе қабілеттері шектеулі тұлғалар болса, аса абай болыңыз.

- Балалардың қауіпсіздігі үшін орама ретінде пайдаланылатын, полиэтилен пакеттерді қадағалаусыз қалдырмаңыз.

Назар аударыңыз! **Балаларға** *полиэтилен пакеттерімен немесе орама плёнкасымен ойнауға рұқсат етпеңіз. Тұншығу қаупі!*

- Құралды өздігінен жөндеуге тыйым салынады. Кез келген ақау шыққан жағдайда, құралды өздігіңізден бөлшектемеңіз, сондай-ақ құрылғы құлаған жағдайда құралды розеткадан ажыратыңыз және кез келген авторланған (үкілетті) сервистік орталыққа келіпдік талонында көрсетілген байланысу мекенжайы бойынша және www.vitek.ru сайтына жүгініңіз.
- Құрылғы зақымданбас үшін құрылғыны тек заут орамасында тасымалдаңыз.
- Құрылғыны құрғақ салқын орында, балалардың және мүмкіндігі шектеулі адамдардың қолы жетпейтін жерде сақтаңыз.
- **Құрылғыны тасымалдағаннан кейін немесе төмен температурада сақтағаннан кейін оны бөлме температурасында үш сағаттан кем емес уақыт ұстау қажет.**

**ҚҰРЫЛҒЫ ТҰРМЫСТЫҚ ПАЙДАЛА-
НЫМДАРҒА ҒАНА ТАҒАЙЫНДАЛҒАН**

БІРІНШІ ПАЙДАЛАНАР АЛЫНДА

- Құрылғыны орамасынан толық шығарыңыз, жұмыс істеуге кедергі келтіретін кез келген жапсырмаларды алып тастаңыз.
 - Құрылғының бүтіндігін тексеріңіз, зақымданғаны болса оны пайдаланбаңыз.
 - Желі бейімдегішін алғаш қосар алдында электр желісінің кернеуі құрылғының жұмыс кернеуіне сәйкестігіне көз жеткізіңіз.
 - Аккумулятор батареясын зарядтау мен жүздер блогінің майлауын төмендегі ұсынымдарға сәйкес жасаңыз.
- Шаш қырқуға арналған машинка желі бейімдегішінен және кіріктірілген аккумулятор батареясы арқылы жұмыс істей алады.

Аккумулятор батареясын зарядтау

- Толық зарядталған аккумулятор батареясының заряды шамамен **60** минут үзіліссіз жұмыс істеуге жетеді.
- Қорек сөндіргішін (3) «OFF» жағдайына қойып, машинканы сөндіріңіз.
 - Желі бейімдегіші бауының штеккерін (9) машинка ұясына (1) корпусының төменгі жағынан тығыңыз.
 - Машинканы тегіс тұрақты бетке қойыңыз.
 - Желі бейімдегіші бауының ашасын (9) электр розеткасына тығыңыз, осы кезде зарядка индикаторы (2) қызыл түспен жанады.
 - Аккумулятор батареясының толық зарядталу уақыты 8 сағатты құрайды, аккумуляторлардың жұмыс істеу мерзімін қысқартпау үшін толық зарядтау уақытын асырмаңыз.
 - Аккумуляторлар толық зарядталғаннан кейін, желі бейімдегішін (9) электр розеткасынан алып тастаңыз да желі бейімдегіші сымының штеккерін ұядан (1) алып тастаңыз осы кезде зарядтау индикаторы (2) сөнеді.

ҚАЗАҚ

Назар аударыңыз:

- Алғашқы 2-3 ретте машинканы 12 сағат бойы зарядтаңыз. Келесі зарядтаулардың ұзақтығы 8 сағаттан аспауы тиіс.
- Аккумуляторлардың жұмыс істеу мерзімін ұзарту үшін, олар келесі зарядтау алдында заряды түгел таусылған болуы тиіс.
- Аккумуляторлардың зарядтауын +5°C-тан төмен емес және +35°C-тан жоғары емес температурада жасаңыз.
- Егер Сіз машинканы бір ай және одан көп уақыт пайдаланбасаңыз, оны пайдаланар алдында толық зарядтап алңыз.
- Желіге қосылған құрылғыны қараусыз қалдырмаңыз.

Желі бейімдегішін пайдалану

Құрылғы желі бейімдегішінен қоректенгенде әрқашан пайдалануға дайын.

Егер аккумулятордың заряды жарым-жарты болған кезде сіз машинканы пайдалануды жалғастырмаңыз келсе, желі бейімдегіші бауының штеккерін (9) машинка ұясына (1) корпусстың төменгі жағына қосыңыз, желі бейімдегіші бауының ашасын (9) электр розеткасына тығыңыз, қоректену сөндіргішін (3) «ON» жағдайына қойып, машинканы қосыңыз, осы кезде қосылу индикаторы (2) қызыл түспен жанады.

Жүздер блогін майлау

Алғашқы пайдаланар алдында жүздер блогін (5) шешіп алыңыз және оны маймен (10) (жеткізілім жиынтығына кіреді) майлаңыз.

– Жүздер блогін шешу үшін машинканы жүздерін жоғары қаратып қойыңыз және бекітіп тұратын жиектерінен 1 сур. көрсетілгендей босатып алу үшін бас бармағыңызбен жүздер блогінің жоғарғы шетіне басыңыз.

- Маймен майланатын нүктелер орны 2 сур. көрсетілгендей нұсқарлармен белгіленген. Әр нүктеге майдың 1 тамшысынан асырмай тамызыңыз.
- Жүздер блогін орнату үшін алдымен оның төменгі жағын орнатып алыңыз, содан кейін абайлап, тырс етіп бекігенге дейін жүздердің жоғарғы шетіне басыңыз, 3 сур. қараңыз.
- Май үйкелетін беттерге тарауы үшін, машинка шамамен 30 минуттай жұмыс істесін. Содан кейін майдың артығын құрғақ матамен немесе қағаз майлықпен алып тастаңыз.

Ескерту:

- Машинканы әр пайдаланған сайын жүздерін майлап отырыңыз.
- Жеткізілім жиынтығына кіретін майды (10) ғана пайдаланыңыз.
- Өсімдік майын немесе құрамына еріткіштер кіретін майларды пайдаланбаңыз. Еріткіштер булануға ұшырайды, ал қалған қою май жүздер қозғалысы жылдамдығын бәсеңдетуі мүмкін.

Әмбебап қондырмалар (6) және (7)

Қиылатын түрлі шаш ұзындығына байланысты, қондырманың сол жағында орналасқан шәкілде көрсетілген, әмбебап қондырмалардың (6) және (7) әрқайсысының 5 жағдайы бар:

- әмбебап қондырма (6): 3 мм, 6 мм, 9 мм, 12 мм, 15 мм, 4 сур. қараңыз;
- әмбебап қондырма (7): 18 мм, 21 мм, 24 мм, 27 мм, 30 мм, 5 сур. қараңыз.
- Әр әмбебап қондырманың сол жағына басылған шәкіл, қиылатын шаш ұзындығының таңдалған мөні (мм-де) машинканың сол жағында корпус бүйірі бетінде орналасқан, «▼mm» белгісіне қарсы келіп тұрады.
- Әмбебап қондырманы орнатар, шешер немесе ауыстырар алдында сөндіргішті (3) «OFF» жағдайына қойып, құрылғыны сөндіріңіз, желі бейімдегіші

- арқылы жұмыс істегенде оны электр розеткасынан алып тастаңыз.
- Өмбебаб қондырманы орнату үшін машинка корпусындағы оның бағыттауыштарын бекіткішіне (8) басып сәйкесінше жігіне кигізіңіз, таңдаған қиятын шаш ұзындығы шөкіліне сәйкес жылжытыңыз, **6 сур.** қараңыз.
 - Өмбебаб қондырмаларын (6) немесе (7) шешу үшін бекіткішіне (8) басыңыз да жоғары қарай қондырманы тартыңыз.
 - Қырку алдында қорек сөндіргішін (3) «ON» жағдайына қойып, машинканы қосыңыз, осы кезде қосылу индикаторы (2) қызыл түспен жанады.
 - Құрылғы кідіріссіз жұмыс істейтініне, ал жүздер жүрісі – жатық екеніне көз жеткізіңіз. Жүздерде майлайтын материалдардың артық болған жағдайында оны құрғақ матамен алып тастаңыз.
 - Егер сіз желі бейімдегіші қосылып тұрған машинкамен жұмыс жасап жатсаңыз, желі бейімдегішінің бауы жағдайын қадағалаңыз, оның көп рет бұралып кетуін болдырмаңыз, машинканы дүркін-дүркін сөндіріп отырыңыз және желі бейімдегіші бауын жазып отырыңыз.

Шашқа филировка жасау қызметі

Құрылғыда филировка жасау қызметі бар, ол шаш көлемін жасанды сирету арқылы шаш үлгісінің қаппын сырт көзге жақсартуға мүмкіндік береді. Филировка шаш үлгісін жақсартып қана қоймайды, шаш тестурасын да айқындайды. Сирету модельденген қырқылған шаш формасын және көпке дейін өзгеріссіз қалпын сақтайды. Филировка – шаштың бөлектенген тұтамдарын қиып тастау. Ол түрлі ұзындықтағы шаш тұтамдарының арасындағы ауысымын білдіртпеуге мүмкіндік береді. Филировка қырқудың аяқтау кезеңінде жасалады. Филировка тарағын жылжыту үшін бекіткішті (4) тірелгенге дейін солға қарай жылжытыңыз. Филировка тарағын алып тастау үшін бекіткішті (4) тірелгенге дейін оңға қарай жылжытыңыз **7, 8 сур.** қараңыз).

МАШИНКАНЫ ҚЫРҚУ ҮШІН ПАЙДАЛАНУ

- Аккумулятор батареясынан жұмыс істеу үшін жоғарыда сипатталған ұсыныстарға сәйкес толық зарядкасын жасаңыз.
- Электр желісінен жұмыс жасау үшін желі бейімдегіші бауының штеккерін (9) машинка ұясына (1) корпустың төменгі жағына қосыңыз, желі бейімдегіші бауының ашасын (9) электр розеткасына тығыңыз.

Шаш қырқу

- Шаш таза және құрғақ болуы тиіс.

- Қорек сөндіргішін (3) «OFF» жағдайына қойып, құрылғыны сөндіріңіз, содан кейін өмбебаб қондырманы (6) немесе (7) орнатыңыз.
- Адамның басы сіздің көзіңіздің деңгейінде болатындай етіп отырғызыңыз, иығын орамалмен жабыңыз, шашын тарақпен (12) тараңыз.
- Қорек сөндіргішін (3) «ON» жағдайына қойып, машинканы қосыңыз, осы кезде қосылу индикаторы (2) қызыл түспен жанады.
- Құрылғымен жұмыс жасауды аяқтағаннан кейін қорек сөндіргішін (3) «OFF» жағдайына қойыңыз, осы кезде қосылу индикаторы (2) сөнеді.

Ескерту:

- Жұмыс жасау кезіндегі үзілістерде машинканы ерқашан сөндіріп отырыңыз.
- Қондырмаларды ауыстырар алдында машинканы сөндіріңіз, ал егер машинка электр желісінен жұмыс істеп тұрса, желі бейімдегішін электр розеткасынан алып тастаңыз.

Еске салу:

- Бір өткенде шаштың біразын қырқыңыз, қырқылған жерге қайта оралып тағы да қысқартуға болады.

ҚАЗАҚ

- Қыркудың ең жақсы нәтижесіне шаш суланғанда емес, құрғақ болғанда қол жеткізесіз.
- Түзу емес тұтамдарын анықтау үшін шашты тарақпен (12) тараңыз.
- Алқашқы рет үшін ұзындау шашты кейінге қалдырған дұрыс.
- Құрылғыны меңгерген сайын сіз өздігіңізден қажетті шаш үлгісін модельдей аласыз.

ШАШ ҮЛГІСІН МОДЕЛЬДЕУ БОЙЫНША НҰСҚАУЛЫҚ

1 қадам

Әмбебап қондырманы (6) «3» немесе «6» жағдайына қойыңыз. Қорек сөндіргішін (3) «ON» жағдайына қойып, машинканы қосыңыз. Машинканы жүзін жоғары қаратып ұстаңыз. Қыркуды бастың төменгі жағынан бастаңыз. Машинканы ақырындап жоғары қарай жылжытыңыз. Бастың артқы жағы және құлақ жанындағы барлық шашты қырқыңыз (9, 10, 11 сур.).

2 қадам

Машинканы сөндіріңіз, «9» немесе «12» жағдайына қойып, машинканы қосыңыз да шекесіне жақын қыркуды жалғастырыңыз (12 сур.).

3 қадам – самай жағын қырку

Машинканы сөндіріңіз, әмбебап қондырманы «3» немесе «6» жағдайына қойыңыз және самайдағы шашты қырқыңыз. Содан кейін «9» немесе «12» жағдайына қойыңыз да шекесіне қарай қыркуды жалғастырыңыз.

4 қадам – төбесі жағын қырку

Әмбебап қондырмаларды пайдаланып, шаштың өсу бағытына қарсы шекесінен төбесіне қарай қырқыңыз.

- Шашты өсу бағытына қарсы және өсу бағытымен де қыркуға болады, бірақ өсу бағытына қарсы қырқылған шаш, өсу

бағытымен қырқылған шаштан қысқарақ болатынын есте сақтау қажет.

- Әмбебап қондырманы (6) «3» немесе «6» жағдайында өте қысқа шаш үлгісіне пайдаланыңыз. Шашты біраз ұзындау етіп қалдыру үшін қондырмалардың келесі жағдайларын пайдаланыңыз. .
- Шашты одан да ұзындау етіп қалдыру үшін, әмбебап қондырманы (7) пайдаланыңыз.
- Одан да ұзын шаш қалдыру үшін, шаш тұтамдарын саусақ арасына қысып машинкамен қырқыңыз (13 сур.).
- Тарақты (12) пайдалануға болады: шаш тұтамдарын көтеріңіз және тарақ үстінен машинкамен қырқыңыз (14 сур.).
- Қыркуды әрқашан бастың артқы жағынан бастаңыз.
- Түзу емес тұтамдарды анықтау үшін шашты тарақпен (12) тараңыз.
- Шашты түзету үшін қайшыны (13) пайдаланыңыз.

5 қадам – соңғы бөлім

Шаш үлгісін модельдеудің соңғы кезеңінде әмбебап қондырманы шешіп алыңыз, машинканы жүзімен шашқа қаратыңыз және самайы мен мойнындағы шашты абайлап түзетіңіз (15 сур.). Машинканы қатты баспаңыз, ашық жүздер теріге тигенде өзіңді жарақаттап алуың немесе кесіп кетуің мүмкін.

Конус тәрізді қырку

Әмбебап қондырманы (6) орнатыңыз және қиятын шаштың қажетті ұзындығын таңдаңыз. Қыркуды бастың артқы жағынан шекеге қарай бағытта бастаңыз. Бастың алдыңғы жағынан шекеге қарай және самайынан шаштың өсу бағытына қарсы қырқыңыз (16 сур.). Шекесі теріс шаш үлгісін жасау үшін тарақты (12) пайдаланыңыз: шаш тұтамдарын тарақпен көтеріп қырқыңыз. Түзу емес тұтамдарды анықтау үшін шашты тарақпен тараңыз.

ТАЗARTY ЖӘНЕ КҮТУ

- Пайдаланғаннан кейін машинканы сөндіріңіз.
- Машинка корпусын жұмсақ, шамалы ылғалды матамен сүртіңіз, содан кейін құрғатып сүртіңіз.
- Машинканы, жүздер блогін және желі бейімдегішін суға немесе кез келген басқа сұйықтыққа батыруға тыйым салынады.
- Әмбебап қондырманы корпустан шешіп алыңыз. Қондырманың екі бетінен(сыртқы және ішкі) де қыркылған шаш қалдықтарын қылшақпен (11) алып тастаңыз.
- Сіз қондырманы ағын судың астында жуып жібере аласыз, содан кейін құрғатып сүртіңіз.
- Жүзі жағынан блоктің жоғарғы жағына басып, жүздер блогін (5) шешіп алыңыз. Қылшақпен (11) жүздер блогін (5) тазартыңыз. Блоктің төменгі жағын корпус жігіне келтіріп және блоктің жоғарғы жағына басып жүздер блогін (5) орнына орнатыңыз. Бекіткіштер тырсылы жүздер блогінің (5) дұрыс орнатылғанының белгісі.
- Қыркуға арналған жинақты тазарту үшін еріткіштер немесе абразивті тазарту құралдарын пайдалануға тыйым салынады.
- Әр пайдаланғаннан кейін жүздерді маймен (10) майлап отырыңыз.

САҚТАУЫ

- Құрылғыны сақтауға алып қояр алдында, оны тазартыңыз және жүздерін маймен (10) майлаңыз.
- Құрылғыны құрғақ салқын орында, балалардың қолы жетпейтін жерде сақтаңыз.

ЖЕТКІЗІЛІМ ЖИЫНТЫҒЫ

1. Қыркуға арналған машинка жүздер блогімен – 1 дана
2. Әмбебап қондырма – 2 дана
3. Желі бейімдегіші – 1 дана
4. Майлайтын май – 1 дана
5. Тазартуға арналған қылшақ – 1 дана
6. Тарақ – 1 дана
7. Қайшылар – 1 дана
8. Нұсқаулық – 1 дана

ТЕХНИКАЛЫҚ СИПАТТАМАЛАР

Қыркуға арналған машинка

Қуаты: 2,4 Вт

Кіріктірілген аккумулятор батареясы:

Ni-MH AA 2×1,2 В 600 мАч

Зарядқа ұзақтығы: 8 сағат

Желі бейімдегіші

Қоректендіру кернеуі:

110–240 В ~ 50/60 Гц 0,2 А

Шығу кернеуі: 3 В === 1 А

Шығу ток: 1000 мА

Пайдаланатын қуаты: 5,3 Вт

Өндіруші алдын ала ескертулерсіз құрылғының сипаттамаларына өзгерістер енгізу құқығын өзінде қалдырады

Құралдың қызмет көрсету мерзімі – 3 жыл

Гарантиялық міндеттілігі

Гарантиялық жағдайдағы қаралып жатқан бөлшектер дилерден тек сатып алынған адамға ғана беріледі. Осы гарантиялық міндеттілігіндегі шағымдалған жағдайда төлеген чек немесе квитанциясын көрсетуі қажет.



МАШИНКА ДЛЯ ПІДСТРИГАННЯ ВОЛОССЯ VT-2568 BK

Машинка для підстригання волосся VT-2568 BK представлена у складі набору для підстригання та призначена для підстригання та філірування волосся.

ОПИС

1. Гніздо для підмикання мережного адаптера
2. Індикатор увімкнення/зарядження
3. Вимикач живлення «ON/OFF»
4. Фіксатор філірувального гребінця
5. Блок лез
6. Універсальна насадка
3/6/9/12/15 мм
7. Універсальна насадка
18/21/24/27/30 мм
8. Фіксатор насадки
9. Мережний адаптер
10. Мастило
11. Щіточка для чищення
12. Гребінець
13. Ножиці

ЗАПОБІЖНІ ЗАХОДИ

Перед початком використання пристрою уважно прочитайте цю інструкцію і зберігайте її як довідковий матеріал протягом всього терміну експлуатації. Використовуйте пристрій лише за його прямим призначенням, як викладено у цій інструкції. Неправильне поводження з пристроєм може призвести до його поломки, завдання шкоди користувачеві або його майну.

- Перед першим підмиканням пристрою до електричної мережі для зарядження акумуляторної батареї переконайтеся, що напруга електричної мережі відповідає робочій напрузі мережного адаптера.
- Шнур мережного адаптера не має:
 - стикатися з гарячими предметами та поверхнями,
 - занурюватися у воду,

- протягуватися через гострі кромки меблів,
- використовуватися як ручка для перенесення пристрою.
- Не торкайтеся корпусу мережного адаптера мокрими руками.
- Використовуйте машинку тільки для підстригання сухого волосся.
- Використовуйте машинку тільки для підстригання натурального людського волосся.
- Забороняється використовувати пристрій для підстригання штучного волосся і волосся тварин.
- Використовуйте лише насадки і мережний адаптер, що входять до комплекту поставки.
- Не використовуйте пристрій в місцях з підвищеною температурою і відносною вологістю більше 80%.
- Забороняється використовувати пристрій поза приміщеннями.
- Робіть зарядження акумуляторної батареї при температурі від +5°C до +35°C.
- Забороняється використовувати машинку з пошкодженими насадками або лезами.
- **УВАГА!** Тримайте пристрій сухим. Забороняється занурювати машинку та мережний адаптер у воду або у будь-які інші рідини.
- Завжди наглядуйте за чистотою лез і наявністю на них мастила.
- Після кожного використання машинки очищайте насадки і блок лез від зрізаного волосся за допомогою щіточки.
- Ніколи не залишайте працюючий пристрій без нагляду.
- Вимикайте машинку в перервах в роботі або коли не користуєтеся нею.
- Не дозволяйте дітям торкатися до корпусу мережного адаптера під час зарядження пристрою.
- Не дозволяйте дітям використовувати пристрій в якості іграшки.

- Цей пристрій не призначений для використання дітьми.
- Під час роботи і у перервах між робочими циклами розміщайте пристрій у місцях, недоступних для дітей і людей з обмеженими здібностями.
- Пристрій не призначений для використання особами (включаючи дітей) зі зниженими фізичними, психічними і розумовими здібностями або при відсутності у них досвіду або знань, якщо вони не знаходяться під контролем або не проінструктовані щодо використання пристрою особою, відповідальною за їх безпеку.
- Будьте особливо уважні, якщо поблизу від працюючого пристрою знаходяться діти або особи з обмеженими здібностями.
- З міркувань безпеки дітей не залишайте поліетиленові пакети, що використовуються як упаковка, без нагляду.

Увага! Не дозволяйте дітям грати з поліетиленовими пакетами або пакувальною плівкою. *Небезпека задушення!*

- Забороняється самостійно ремонтувати пристрій. Не розбирайте пристрій самостійно, при виникненні будь-яких несправностей, а також після падіння пристрою вимкніть пристрій з електричної розетки та зверніться до найближчого авторизованого (уповноваженого) сервісного центру за контактними адресами, вказаними у гарантійному талоні та на сайті www.vitek.ru.
- Щоб уникнути пошкоджень, перевозьте пристрій тільки у заводській упаковці.
- Зберігайте пристрій у сухому прохолодному місці, недоступному для дітей і людей з обмеженими можливостями.
- **Після транспортування або зберігання пристрою при зниженій температурі необхідно витримати його при кімнатній температурі не менше трьох годин.**

ПРИСТРІЙ ПРИЗНАЧЕНИЙ ТІЛЬКИ ДЛЯ ПОБУТОВОГО ВИКОРИСТАННЯ

ПЕРЕД ПЕРШИМ ВИКОРИСТАННЯМ

- Повністю розпакуйте пристрій та видавіть будь-які наклейки, що заважають роботі пристрою.
- Перевірте цілісність пристрою, за наявності пошкоджень не користуйтеся ним.
- Перед вмиканням мережного адаптера переконайтеся у тому, що напруга електричної мережі відповідає робочій напрузі пристрою.
- Зробіть заряджання акумуляторної батареї і змащування блоку лез відповідно до вказаних нижче рекомендацій.

Машинка для підстригання волосся може працювати від мережного адаптера і від вбудованої акумуляторної батареї.

Заряджання акумуляторної батареї

- Заряду повністю зарядженої акумуляторної батареї вистачає приблизно на 60 хвилин безперервної роботи.
- Вимкніть машинку, встановивши вимикач живлення (3) у положення «OFF».
 - Вставте штекер шнура мережного адаптера (9) у гніздо машинки (1) з нижнього боку корпусу.
 - Покладіть машинку на рівну стійку поверхню.
 - Вставте вилку мережного адаптера (9) в електричну розетку, при цьому індикатор зарядження (2) засвітиться червоним кольором.
 - Час повного заряджання акумуляторної батареї складає 8 годин, щоб уникнути скорочення терміну служби акумуляторів, не перевищуйте час повного зарядження.
 - Після того, як акумулятори будуть заряджені, витягніть мережний адаптер (9) з електричної розетки та від'єднайте штекер проводу мережного адаптера

УКРАЇНСЬКИЙ

з гнізда (1), індикатор зарядження (2) при цьому погасне.

Увага:

- **Перші 2-3 рази заряджайте машинку протягом 12 годин. Тривалість наступних заряджань не має перевищувати 8 годин.**
- **Для того, щоб забезпечити тривалий термін служби акумуляторів, вони мають бути повністю розряджені перед кожним наступним зарядженням.**
- **Робіть зарядження акумуляторів при температурі не нижче +5°C і не вище +35°C.**
- **Якщо Ви не користувалися машинкою протягом місяця і більше, повністю зарядіть її перед використанням.**
- **Не залишайте увімкнутий у мережу пристрій без нагляду.**

Використання мережного адаптера

При живленні від мережного адаптера пристрій завжди готовий до використання. Якщо ви хочете продовжити використання машинки при частковому розрядженому акумуляторі, підімкніть штекер шнура мережного адаптера (9) у гніздо машинки (1) з нижнього боку корпусу, вставте вилку мережного адаптера (9) в електричну розетку, увімкніть машинку, встановивши вимикач живлення (3) у положення «ON», при цьому індикатор увімкнення (2) світитиметься червоним кольором.

Змащування блоку лез

Перед першим використанням зніміть блок лез (5) і змастіть його мастилом (10) (входить до комплекту постачання).

- Для зняття блоку лез розташуйте машинку лезами вгору і натисніть великим пальцем на верхню кромку блоку лез, щоб звільнити його з фіксуючої рамки, як показано на мал. 1.

— Крапки нанесення мастила позначені стрілками на мал. 2. У кожен крапку нанесіть не більше 1 краплі мастила.

— Для установлення блоку лез спочатку встановіть нижню його частину у посадкове місце, а потім акуратно натисніть на верхню кромку лез до клацання для фіксації, див. мал. 3.

— Дайте машинці попрацювати приблизно 30 секунд, щоб мастило розподілилося по тручихся поверхнях частин. Після цього видаліть надлишки мастила сухою тканиною або паперовою серветкою.

Примітки:

- Змащуйте леза після кожного використання машинки.
- Використовуйте лише те мастило (10), що входить до комплекту постачання.
- Не використовуйте рослинну олію або мастило, до складу якого входять розчинники. Розчинники можуть випаруватися, а залишки густо мастила можуть сповільнити швидкість переміщення лез.

Універсальні насадки (6) та (7)

Кожна з універсальних насадок (6) та (7) має 5 положень для різної довжини зрізаемого волосся, які вказані на шкалі, розташованій з лівого боку насадки:

- універсальна насадка (6): 3 мм, 6 мм, 9мм, 12 мм, 15 мм, см. мал. 4;
- універсальна насадка (7): 18 мм, 21 мм, 24 мм, 27 мм, 30 мм, см. мал. 5.

Шкала нанесена з лівого боку кожної універсальної насадки таким чином, що вибране значення довжини зрізаемого волосся (у мм), відображається навпроти символу «▼mm», розташованого на бічній поверхні корпусу машинки з лівого боку.

- Перед установленням, зняттям або заміною універсальної насадки вимкніть пристрій, встановивши вимикач (3) у положення «OFF», при роботі

від мережного адаптера вийміть його з електричної розетки.

- Щоб встановити універсальну насадку, вставте її напрямні у відповідні пази у корпусі машинки, і, натиснувши на фіксатор (8), зсуньте її на вибрану довжину зрізаемого волосся відповідно до шкали, див. мал. 6.
- Для зняття універсальної насадки (6) або (7) натисніть на фіксатор (8) і потягніть насадку у напрямку вгору.

Функція філірування волосся

У пристрої доступна функція філірування, яка дозволяє візуально поліпшити форму зачіски завдяки штучному проріджуванню об'єму волосся. Філірування не тільки полегшує зачіску, але і підкреслює текстуру волосся. Завдяки проріджуванню змодельована форма зачіски довго зберігається у незмінному вигляді. Філірування – вистригання окремих пасом. Вона дозволяє досягнути плавного переходу між пасмами різної довжини. Філірування виконують на завершальному етапі підстригання.

Для висунення філірувального гребінця перемістіть фіксатор (4) вліво до упору. Щоб забрати філірувальний гребінець, перемістіть фіксатор (4) до упору вправо (див. мал. 7, 8).

ВИКОРИСТАННЯ МАШИНКИ ДЛЯ ПІДСТРИГАННЯ

- Для роботи від акумуляторної батареї зробіть повне її зарядження відповідно до описаних вище рекомендацій.
- Для роботи від електричної мережі підмкніть штекер шнура мережного адаптера (9) у гніздо машинки (1) з нижнього боку корпусу та вставте вилку мережного адаптера (9) в електричну розетку.

Підстригання волосся

- Волосся має бути чистим і сухим.
- Перед початком підстригання увімкніть машинку, перемістивши вимикач жив-

лення (3) у положення «**ON**», при цьому індикатор увімкнення (2) світитиметься червоним кольором.

- Переконайтеся, що пристрій працює без збоїв, а хід лез – плавний. При надлишку на лезах мастила видаліть його за допомогою сухої тканини.
- Якщо Ви працюєте з машинкою, підмкнutoю до мережного адаптера, наглядуйте за станом шнура мережного адаптера, не допускайте його багаторазового перекручування, періодично вимикайте машинку і розправляйте шнур мережного адаптера.
- Вимкніть пристрій, встановивши вимикач живлення (3) у положення «**OFF**», потім установіть універсальну насадку (6) або (7).
- Завдячіть людину так, щоб її голова була приблизно на рівні ваших очей, прикрийте плечі рушником, розчешіть волосся за допомогою гребінця (12).
- Увімкніть пристрій, установивши вимикач живлення (3) у положення «**ON**», при цьому індикатор увімкнення (2) буде світитися червоним кольором.
- Після завершення роботи з пристроєм, установіть вимикач живлення (3) у положення «**OFF**», індикатор увімкнення (2) при цьому погасне.

Примітки:

- Кожного разу під час перерв у роботі вимикайте машинку.
- Перед заміною насадки вимикайте машинку і, якщо машинка працює від електричної мережі, виймайте мережний адаптер з електричної розетки.

Нагадування:

- Зрізуйте невелику кількість волосся за один прохід, до вже підстриженої ділянки завжди можна повернутися і додатково укоротити волосся.
- Найкращі результати підстригання досягаються при роботі з сухим, а не вологим волоссям.

УКРАЇНСЬКИЙ

- Розчісуйте волосся гребінцем (12) для виявлення нерівних пасом.
- Для першого разу краще залишити після стрижки довше волосся.
- У міру освоєння пристрою ви зможете самостійно моделювати необхідні зачіски.

ІНСТРУКЦІЯ ЩОДО МОДЕЛЮВАННЯ ЗАЧІСКИ

Крок 1

Встановіть універсальну насадку (6) у положення «3» або «6». Увімкніть машинку, перемістивши вимикач живлення (3) у положення «ON». Тримайте машинку таким чином, щоб леза були направлені вгору. Починайте підстригання з нижньої частини голови. Повільно переміщайте машинку у напрямку вгору. Підстрижіть все волосся знизу задньої частини голови і біля вух (мал. 9, 10, 11).

Крок 2

Вимкніть машинку, установіть насадку у положення «9» або «12», увімкніть машинку і продовжуйте стригти волосся ближче до маківки (мал. 12).

Крок 3 – підстригання у ділянці скронь

Вимкніть машинку, встановіть універсальну насадку у положення «3» або «6» і підстрижіть волосся на скронях. Потім встановіть насадку в положення «9» або «12» і продовжуйте стрижку у напрямку до верхівки.

Крок 4 – підстригання у ділянці тімені

Використовуючи універсальні насадки, підстригайте волосся у напрямку від маківки до тімені проти напрямку росту волосся.

Волосся можна стригти проти напрямку росту та у напрямку росту, але майте на увазі, що волосся, підстрижене проти напрямку росту, буде коротше за волосся, підстриженого у напрямку росту.

Використовуйте положення універсальної насадки (6) «3» або «6» для дуже короткої стрижки. Щоб залишити трохи довніше волосся, використовуйте наступні положення насадки.

Щоб залишити ще довніше волосся, використовуйте універсальну насадку (7). Щоб залишити довше волосся, затискайте пасма волосся між пальцями і зістригайте їх машинкою (мал. 13).

Можна використовувати гребінець (12): піднімайте пасма волосся і зістригайте їх машинкою поверх гребінця (мал. 14). Завжди починайте підстригання з задньої частини голови.

Розчісуйте волосся гребінцем (12) для виявлення нерівних пасом.

Використовуйте ножиці (13) для підрівнювання волосся.

Крок 5 – заключна частина

На заключній стадії моделювання зачіски зніміть універсальну насадку, розверніть машинку лезами у бік волосся і акуратно підрівняйте волосся на скронях і на шиї (мал. 15). Не тисніть на машинку з зусиллям, при контакті відкритих лез зі шкірою можна завдати собі травму або порізи.

Конусоподібна стрижка

Встановіть універсальну насадку (6) і виберіть потрібну довжину зрізаемого волосся. Почніть підстригання з задньої частини голови у напрямку до маківки. Підстрижіть волосся проти напрямку росту з передньої частини голови у напрямку до маківки і з боків (мал. 16). Для здобуття стрижки з плоскою маківкою використовуйте гребінець (12): піднімайте і зістригайте пасма волосся по гребінцю. Розчісуйте волосся гребінцем для виявлення нерівних пасм.

ЧИЩЕННЯ ТА ДОГЛЯД

– Вимкніть машинку після використання.

- Корпус машинки протирайте м'якою, злегка вологою тканиною, після чого витріть досуха.
- Забороняється занурювати машинку, блок лез та мережний адаптер у воду або у будь-які інші рідини.
- Зніміть універсальну насадку з корпусу. Щіточкою (11) видаліть залишки зістриженого волосся з обох поверхонь насадки (зовнішньої і внутрішньої).
- Ви можете промити насадку під струменем води, після чого витріть її досуха.
- Зніміть блок лез (5), натиснувши на верхню частину блоку з боку лез. Щіточкою (11) очистіть блок лез (5) та внутрішню порожнину машинки під блоком лез (5). Установіть блок лез (5) на місце, вставивши нижню частину блоку у паз на корпусі і натиснувши на верхню частину блоку. Клацання фіксаторів свідчить про правильне установлення блоку лез (5).
- Забороняється використовувати для чищення набору для підстригання розчинники або абразивні чистячі засоби.
- Кожного разу після використання машинки змащуйте леза мастилом (10).

ЗБЕРІГАННЯ

- Перш ніж забрати пристрій на зберігання, зробіть його чищення і змастіть леза мастилом (10).
- Зберігайте пристрій у сухому прохолодному місці, недоступному для дітей.

КОМПЛЕКТ ПОСТАЧАННЯ

1. Машинка для підстригання з блоком лез – 1 шт.
2. Універсальна насадка – 2 шт.
3. Мережний адаптер – 1 шт.
4. Мастило – 1 шт.
5. Щіточка для чищення – 1 шт.
6. Гребінець – 1 шт.
7. Ножичі – 1 шт.
8. Інструкція – 1 шт

ТЕХНІЧНІ ХАРАКТЕРИСТИКИ

Машинка для підстригання

Потужність: 2,4 Вт

Вбудовані акумуляторні батареї:

Ni-MH AA 2x1,2 В 600 mAh

Тривалість заряджання: 8 годин

Мережний адаптер

Напруга живлення:

110–240 В ~ 50/60 Гц 0,2 А

Вихідна напруга: 3 В === 1А

Вихідний струм: 1000 mA

Споживаєма потужність: 5,3 Вт

Виробник залишає за собою право змінювати характеристики пристроїв без попереднього повідомлення

Термін служби пристрою – 3 роки

Гарантія

Докладні умови гарантії можна отримати в дилера, що продав дану апаратуру. При пред'явленні будь-якої претензії протягом терміну дії даної гарантії варто пред'явити чек або квитанцію про покупку.



Даний виріб відповідає вимогам до електромагнітної сумісності, що пред'являються директивою 2004/108/EC Ради Європи й розпорядженням 2006/95/EC по низьковольтних апаратурах.

GB

A production date of the item is indicated in the serial number on the technical data plate. A serial number is an eleven-unit number, with the first four figures indicating the production date. For example, serial number 0606xxxxxx means that the item was manufactured in June (the sixth month) 2006.

DE

Das Produktionsdatum ist in der Seriennummer auf dem Schild mit technischen Eigenschaften dargestellt. Die Seriennummer stellt eine elfstellige Zahl dar, die ersten vier Zahlen bedeuten dabei das Produktionsdatum. Zum Beispiel bedeutet die Seriennummer 0606xxxxxx, dass die Ware im Juni (der sechste Monat) 2006 hergestellt wurde.

RUS

Дата производства изделия указана в серийном номере на табличке с техническими данными. Серийный номер представляет собой одиннадцатизначное число, первые четыре цифры которого обозначают дату производства. Например, серийный номер 0606xxxxxx означает, что изделие было произведено в июне (шестой месяц) 2006 года.

KZ

Бұйымның шығарылған мерзімі техникалық деректері бар кестедегі сериялық нөмірде көрсетілген. Сериялық нөмір он бір саннан тұрады, оның бірінші төрт саны шығару мерзімін білдіреді. Мысалы, сериялық нөмір 0606xxxxxx болса, бұл бұйым 2006 жылдың маусым айында (алтыншы ай) жасалғанын білдіреді.

UA

Дата виробництва виробу вказана в серійному номері на табличці з технічними даними. Серійний номер представляє собою одинадцятизначне число, перші чотири цифри якого означають дату виробництва. Наприклад, серійний номер 0606xxxxxx означає, що виріб був виготовлений в червні (шостий місяць) 2006 року.



ЗАПРЕЩЕНО УТИЛИЗИРОВАТЬ
С БЫТОВЫМ МУСОРОМ.
ОБРАТИТЕСЬ НА СООТВЕТСТВУЮЩИЙ
ПУНКТ ПЕРЕРАБОТКИ ЭЛЕКТРИЧЕСКОГО
И ЭЛЕКТРОННОГО ОБОРУДОВАНИЯ.