

oursson 

bon appétit

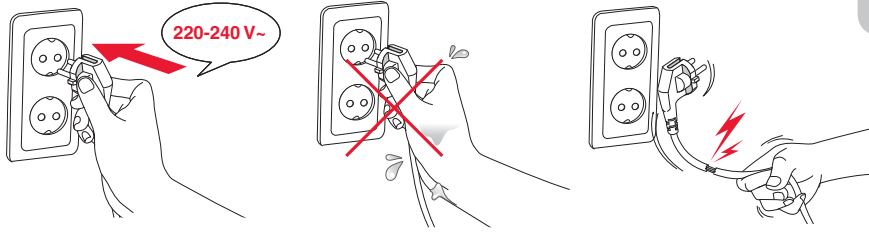


TO2130D

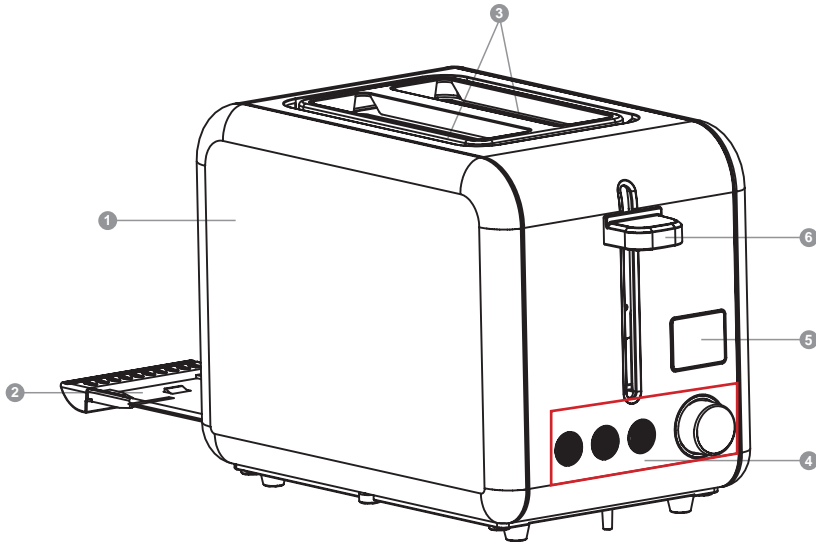
EN Instruction manual

RU Руководство по эксплуатации

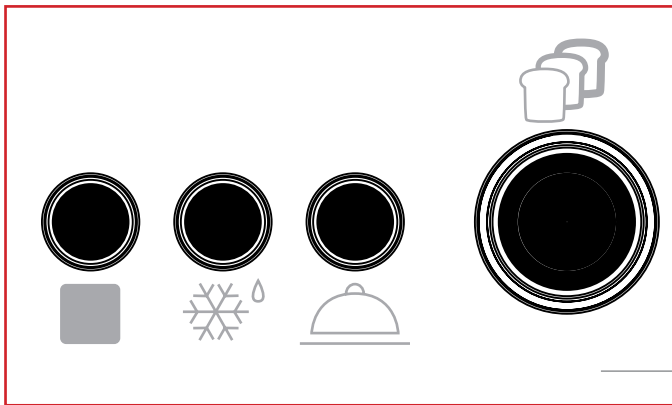


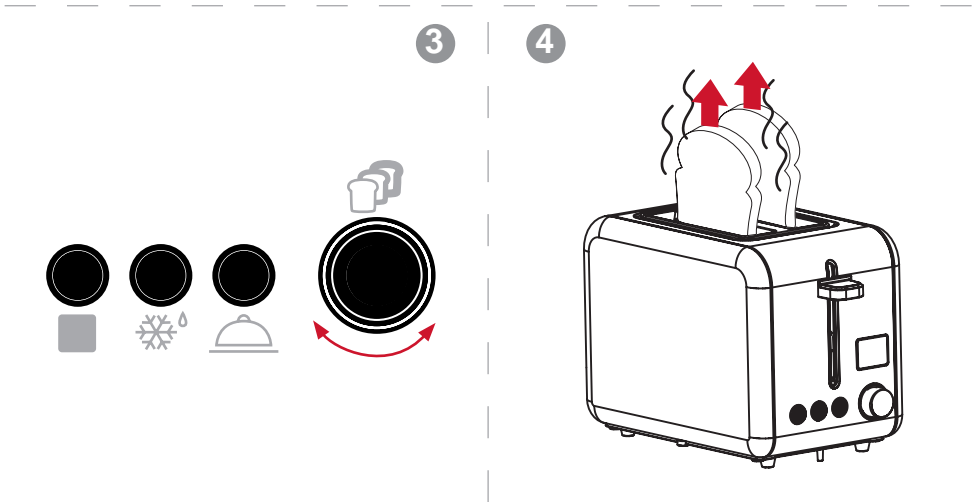
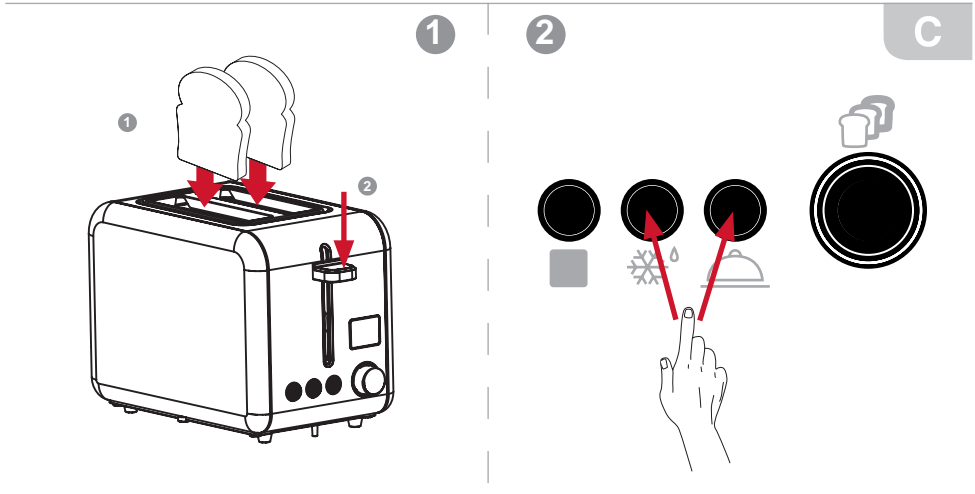


A




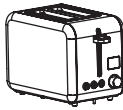



B





D

			
	×	×	✓
	✓	×	✓

SAFETY INSTRUCTIONS, Fig. A

EN



Danger symbol

A reminder to user about high voltage.



Warning symbol

A reminder to user about the necessity of operating exactly according to the instructions.

When using electrical appliances should take the following precautions:

- Use the device according to the following instructions manual.
- Install the device on a stable surface.
- Use only the tools, which are included in the product set.



- To protect against risk of electrical shock do not put the cord in water or other liquid. If for some reason the water got into the unit, contact an authorized service center (ASC) OURSSON AG.
- For power supply, use a power grid with proper characteristics.
- Do not use the device in areas where the air can contain vapors of flammable substances.



- Never attempt to open the device by yourself – it could possibly be the reason of an electrical shock can lead to product malfunction and will invalidate the manufacturer's warranty. For repair and maintenance, contact only authorized service centers meant for repair of products under the trademark OURSSON.
- When moved from a cool to a warm place and vice versa unpack it before use and wait 1-2 hours without turning it on.



- In order to prevent electrical shock do not immerse the entire product or the wires into the water.
- Be particularly careful and cautious when using the device near children.
- Do not touch any hot parts, as this may cause injury.
- The power cord is specially made relatively short in order to avoid the risk of injury.
- Do not allow the cord to hang over the sharp edge of the table or touch hot surfaces.
- Do not connect this device to a grid which is overloaded with other appliances: it can lead to the fact that the device will not function properly.
- Do not install the device near gas and electric stoves and ovens.
- After use, make sure to disconnect the device from the power grid.
- Keep the device from bumps, falls, vibration and other mechanical influences.
- Make sure to disconnect the device from the power grid before cleaning or changing accessories.
- Do not use the device outdoors.
- This appliance is not intended for use by persons (including children) with reduced physical, sensory

or mental capabilities, or lack of experience and knowledge. They can only use the device under the supervision of the person responsible for their safety, or after instruction on the safe use of the device. Do not allow children to play with the product.

- This product is intended only for use in the home.
- If the power cord is damaged, it must be replaced by a specialist from the authorized service center (ASC) OURSSON AG to avoid danger.
- Use only the tools, which are included in the product set.
- When cleaning the appliance do not use abrasives and organic cleaners (alcohol, gasoline, etc.). When cleaning the device it is allowed to use a small amount of neutral detergent.

RECOMMENDATIONS

- Please read the instruction manual before using the device. Keep the manual after reading for further use.
- All illustrations in this manual are schematic representations of real objects, which may differ from the actual images.
- Never place foreign objects or toasts in foil into the toasting openings.
- Operate the device only in vertical position.
 - Do not place the device under curtains or near other easy flammable objects or under cupboards, this may lead to a fire.
- Do not cover toasting openings.
- **Do not use toaster without removable tray.**
- Do not wrap the power cord around the body of the device in the moment or immediately after the preparati



The operation of this device in any case does not imply application of any force to it, as this may damage the product due to user fault.

PRODUCT SET





Toaster	1 pc.
Instruction Manual	1 pc.

ELEMENTS OF DESIGN, Pic. B

- 1 Body
- 2 Tray
- 3 Toasting openings
- 4 Control panel
- 5 Display
- 6 Toasting lever

UTILIZATION

Control panel, Pic. B-4

-  – use this button to turn on/turn off the preparation.
-  – use this button to select **REHEAT** mode.
-  – use this button to select **DEFROST** mode.
-  – use this knob to choose the roasting level.



Display, Pic. B-5



Roasting level/time indication.

Getting Started

Before first use, turn on the toaster in bread roasting mode without bread, setting the roasting level to 9. Repeat the procedure for 2-3 times. Then let the device to cool.

Order of operation, Pic. C:

1. Make sure that the tray is installed completely. Plug in the device.
2. Place bread into the toasting openings, Pic. C-1.
3. Press Toasting lever to start roasting, Pic. C-1.
4. With the help of  select the roasting level. Minimum value is 1 (slightly dried), Maximum value 9 (brown crust). Available values: 1,2,3,4,5,6,7, 8, 9, Pic. C-3.
5. When roasting is completed, toasts will raise automatically.
6. You can control roasting level while preparing toasts. If required level is reached, press , button to stop the process.

Mode	Description	Note
REHEAT	<ol style="list-style-type: none"> 1. Plug in the device. 2. Place bread into toasting openings. 3. Press toasting lever, Pic. C-1. 4. Press  button to begin heating up, Pic. C-2. (Cooking time is fixed). 5. Upon completion, toasts will raise automatically, Pic. C-4. 	In this mode, you can warm up cooled toast.
DEFROST	<ol style="list-style-type: none"> 1. Plug in the device. 2. Place bread into toasting openings. 3. Press toasting lever, Pic. C-1. 4. Press  button to defrost, Pic. C-2. 5. Select required roasting level, Pic. C-3. 6. Upon completion, toasts will raise automatically, Pic. C-4. 	In this mode, you can roast frozen slices of bread.

PREPARATION RECOMMENDATIONS

- Be sure to remove wrapping and packing from toast before placing them into toaster.
- If one toast is roasting, its color will be darker than the color of two toast roasted at the same time on the same level.
- If you'll roast in a row a few servings of toast on the same level, the last toasts will be the most crispy.
- For different types of bread, different roasting level is required. For the first preparation set roasting level from 3 to 5.

- Use bread slices that are easily placed into the toasting openings.

CLEANING AND MAINTENANCE, Pic. D




- Unplug the device.

- Let the device cool. Then wipe the body with a damp soft cloth.
- Remove the tray and clean it.



- **Never immerse the entire device into water because of the danger of electric shock.**

POSSIBLE PROBLEMS AND SOLUTIONS

Possible problem	Cause	Solution
Indication isn't displaying	No power supply	Check if the cord is plugged in. Check if the socket is working. If the problem persists, contact an authorized OURSSON service center.
Smoke comes out from the device	Bread is burned	Immediately press  , button, to stop the device.
Bread slices stuck in the toaster		Unplug the device, let it cool and after that remove the bread. Make sure that the inner mechanism or heating element aren't damaged when removing bread.

SPECIFICATIONS

SPECIFICATIONS	
Model	TO2130D
Power consumption, W	max 950
Rated voltage	220-240 V~; 50 Hz
Electric shock protection class	I
Storage and transportation temperature *	-25°C to +35°C
Operating temperature from	+5°C to +35°C
Humidity Requirements	15-75%
Dimensions, mm	275x185x155
Weight, kg	1,32

*Products must be stored in dry, ventilated warehouses at a temperature not lower than – 25°C.

PRODUCT CERTIFICATION

For information on product certification, see <http://www.oursson.com> or ask seller for a copy.



Only a qualified specialist of an authorized service center OURSSON AG can repair the device.

SERVICING

Company OURSSON AG expresses great appreciation to you for choosing our products. We have done everything possible so that this meets your needs, and the quality corresponds to the best world standards. If your OURSSON branded product will need maintenance, please contact one of the authorized service center (hereinafter – ASC). A complete list of ASC and their exact addresses can be found on the website www.oursson.com.

Warranty obligations OURSSON AG:

1. Warranty obligations OURSSON AG, provided ASC OURSSON AG, apply only to models designed OURSSON AG for the production or supply and sale within the country where the warranty service is provided, purchased in this country, certified for compliance with the standards of this country, and also marked the with official marks of conformity.
2. Warranty obligations OURSSON AG operate within the law on protection of consumer rights and are regulated by the laws of the country in which they are provided, and only when the product is used exclusively for personal, family or household purposes. Warranty obligations OURSSON AG shall not apply to uses of goods for business purposes or in connection with the acquisition of goods to meet the needs of enterprises, institutions and organizations.
3. OURSSON AG sets for its products the following terms of use and warranty periods:

Product name	Terms of use, months	Warranty Period, months
Microwave ovens breadmakers, induction hobs Multicookers, kitchen processors, electric kettles, electric grills, hand blenders, hand mixers, meat grinders, blenders, toasters, airpots, toasters, juicers, steamers, coffee makers, choppers, freezers, refrigerators, automatic coffee machines Kitchen scales	60	12

4. Warranty obligations OURSSON AG shall not apply to the following products, if their replacement is assumed and is not connected with disassembling products:
 - Batteries.
 - Cases, straps, cords for carrying, mounting accessories, tools, documentation that came with the product.
5. Warranty does not cover defects caused due to violations of the rules of consumer use, storage or transportation of the goods, actions of third parties or force majeure, including but not limited to the following cases:
 - If the defect was a result of careless handling, used for other purposes, violations of conditions and rules of operation set forth in the instruction manual, including as a result of exposure to high or low temperatures, high humidity or dust, traces of opening the device independently and/ or self-repair, mismatch state standards for power grids, getting liquids, insects or other foreign objects, substances inside the device, as well as long-term use of the product in extreme operational modes.
 - If the defect of the product was a result of unauthorized attempts to test the product or make any changes in its construction or software programs, including repair or maintenance in unauthorized service centers.
 - If the defect of the product was a result of use of non-standard and/or low quality equipment, accessories, spare parts, batteries.
 - If the defect of the product is associated with its use in conjunction with additional equipment (accessories), other than additional equipment recommended by OURSSON AG for use with this product. OURSSON AG is not responsible for the quality of the additional equipment (accessories) manufactured by third parties, for the quality of its products together with such equipment, as well as the quality of the work of the additional equipment of OURSSON AG together with the products of other manufacturers.
6. Product defects detected during the lifetime of the product are eliminated by the authorized service centers (ASC). During the warranty period, elimination of defects is free of charge with the presentation of the original certificate of guarantee

6. and documents that confirm the fact and date of the contract of retail purchase. In the absence of such documents, warranty period is calculated from the date of manufacture of goods. It should be taken into account:
 - Setup and Installation (assembly, the connection, etc.) of the product described in the documentation attached to it, does not enter the scope of warranty OURSSON AG and can be performed by the user as well as the specialists of most authorized service centers on a paid basis.
 - Work upon maintenance of products (cleaning and lubricating the moving parts, replacement of consumables and supplies, etc.) are made on a paid basis.
7. OURSSON AG is not responsible for any damage directly or indirectly caused by their products to people, pets, property, if it occurred as a result of non-observance of the rules and conditions of use, storage, transportation or installation of the product, intentional or negligent actions of consumer or third parties.
8. Under no circumstances, OURSSON AG is not responsible for any special, incidental, indirect or consequential loss or damage, including but not limited to: lost profits, damages caused by interruptions in the commercial, industrial or other activities, arising from the use or inability to use the product.
9. Due to continuous product improvement, design elements and some technical specifications are subject to change without prior notice from the manufacturer.

Using the product when after the terms of use (lifetime):

1. Lifetime set by OURSSON AG for this product applies only when the product is used exclusively for personal, family or household needs, as well as the consumer observes the correct operation, storage and transportation of products. Under the condition of careful handling of the product and compliance with the rules of operation the actual life may exceed the lifetime set by OURSSON AG.
2. At the end of the product lifetime, you should contact an authorized service center for to conduct a preventive maintenance of the product and determine the suitability for further use. Work on conducting a preventive maintenance of the products is also made in service centers on paid basis.
3. OURSSON AG does not recommend the use of this product after the end of its lifetime without its preventive maintenance by the authorized service center, since in this case, the product can be dangerous to the life, health or property of the consumer.

Product Recycling and Disposal

This appliance has been identified in accordance with the European directive 2002/96/EG on Waste Electrical and Electronic Equipment – WEEE.

After the expiration of the lifetime, the product cannot be disposed with another household waste. Instead, it shall be deposited in the appropriate recycling collection point for electrical and electronic equipment for proper treatment and disposal in accordance with federal or local law. By disposing correctly this product, you will help to conserve natural resources and preventing the product from damaging the environment and human health. For more information on the collection point and recycling of this product, please contact your local municipal authorities or the enterprise for household waste disposal.



Date of manufacture

Each product has a unique serial number in the form of alphanumeric row and is duplicated with a barcode that contains the following information: name of the product group, date of manufacture, serial number of the product.



Serial number is located on the rear of the product, on the package and the warranty card.

- ❶ The first two letters-correspondence to the product group (Toaster – TO).
- ❷ The first two digits – year of manufacture.
- ❸ The second two digits – month of manufacture.
- ❹ The last two digits – serial number of product.

To avoid misunderstandings, we highly recommend you to read carefully the instruction manual and the warranty obligations. Check the correctness of the warranty card. Warranty card is valid only if the following are correctly and clearly stated: model, serial number, date of purchase, clear stamps, buyer's signature. The serial number and the model of the device must be the same as in the warranty card. If these conditions are not fulfilled or the data specified in the warranty card was changed, the warranty card is invalid.



If you have questions or problems with OURSSON AG products – please contact us by e-mail: support@oursson.com

This manual is under protection of international and EU copyright law. Any unauthorized use of the instructions, including copying, printing and distribution, but not limited to, involves the application of the guilty person to civil liability and criminal liability.

Contact information:

1. Manufacturer of goods - OURSSON AG (Orson AG) Rue du Grand-Chêne 5, 1003 Lausanne, Switzerland.
2. Certification information product available on the website www.oursson.com.

OURSSON AG
Made in China



ИНСТРУКЦИЯ ПО БЕЗОПАСНОСТИ, Рис. А

RU



Символ опасности

Напоминание пользователю о высоком напряжении.



Символ предупреждения

Напоминание пользователю о необходимости проведения всех действий в соответствии с инструкцией.

При использовании электрических приборов следует соблюдать следующие меры предосторожности:

- Используйте прибор согласно данному руководству по эксплуатации.
- Устанавливайте прибор на устойчивую поверхность.
- Используйте только приспособления, входящие в комплект устройства.



- Чтобы предотвратить риск пожара или удара током, избегайте попадания в устройство воды и эксплуатации устройства в условиях высокой влажности. Если по каким-то причинам вода попала внутрь устройства, обратитесь в уполномоченный сервисный центр (УЦ) OURSSON AG.

- Для электропитания прибора используйте электропровод с надлежащими характеристиками.
- Не используйте прибор в помещениях, где в воздухе могут содержаться пары легковоспламеняющихся веществ.



- Никогда самостоятельно не вскрывайте устройство – это может стать причиной поражения электрическим током, привести к выходу прибора из строя и аннулирует гарантийные обязательства производителя.
- Для ремонта и технического обслуживания обращайтесь только в сервисные центры, уполномоченные для ремонта изделий торговой марки OURSSON.

- При перемещении устройства из прохладного помещения в теплое и наоборот распакуйте его перед началом эксплуатации и подождите 1-2 часа, не включая.



- В целях предотвращения поражения электрическим током не допускайте погружения проводов или всего изделия в воду.
- Будьте особенно осторожны и внимательны, если рядом с работающим прибором находятся дети.
- Не дотрагивайтесь до горячих поверхностей прибора, это может привести к травме.
- Шнур питания специально сделан относительно коротким во избежание риска получения травмы.
- Не допускайте свисания шнура через острый край стола или его касания нагретых поверхностей.
- Не подключайте данный прибор к сети, перегруженной другими электроприборами: это может привести к тому, что прибор не будет функционировать должным образом.
- Не устанавливайте изделие вблизи газовых и электрических плит, а также духовок.
- Не используйте прибор при поврежденном шнуре питания, а также в случаях, если нарушена нормальная работа изделия, если оно падало или было повреждено каким-либо другим образом.
- При отключении изделия от сети держитесь только за вилку, не тяните за провод – это может привести к повреждению провода или розетки и вызвать

короткое замыкание.

- По окончании использования отключите изделие от сети.
- Оберегайте устройство от ударов, падений, вибраций и иных механических воздействий.
- Обязательно отключайте устройство от сети перед началом мойки.
- Не используйте изделие вне помещений.
- Этот прибор не предназначен для использования людьми (включая детей) с ограниченными физическими, сенсорными или умственными способностями, или нехваткой опыта и знаний. Они могут пользоваться прибором только под наблюдением человека, ответственного за их безопасность, или после инструктажа по безопасному использованию прибора. Не позволяйте детям играть с изделием.
- Настоящее изделие предназначено только для использования в быту.
- Не используйте при чистке прибора абразивные материалы и органические чистящие средства (спирт, бензин и т.д.). Для чистки корпуса прибора допускается использование небольшого количества нейтрального моющего средства.

РЕКОМЕНДАЦИИ

- Перед использованием устройства внимательно ознакомьтесь с руководством пользователя. После чтения, пожалуйста, сохраните его для использования в будущем.
- Все иллюстрации, приведенные в данной инструкции, являются схематичными изображениями реальных объектов, которые могут отличаться от них.
- Не помещайте никаких посторонних предметов в отверстие для поджаривания тостов, а также тостов завернутых в фольгу.
- Эксплуатируйте прибор только в вертикальном положении.
 - Не размещайте работающий прибор под или рядом с занавесками или иными легковоспламеняющимися материалами, а также под навесными шкафами, поскольку это может привести к пожару.
- Не накрывайте ничем отверстия для тостов.
- **Нельзя пользоваться тостером без выдвижного поддона.**
- Не наматывайте шнур питания на корпус прибора во время или сразу после его использования.



Эксплуатация данного прибора ни в коем случае не подразумевает применение к нему физической силы, так как это может привести к поломке изделия по вине пользователя.

КОМПЛЕКТАЦИЯ


Тостер.....	1 шт.
Инструкция по эксплуатации.....	1 шт.
Гарантийный талон	1 шт.


ЭЛЕМЕНТЫ КОНСТРУКЦИИ, Рис. В

- 1 Корпус
- 2 Поддон
- 3 Отверстия для тостов
- 4 Панель управления
- 5 Дисплей
- 6 Рычаг

ИСПОЛЬЗОВАНИЕ

Панель управления, Рис. В-4


 – используйте кнопку для включения/остановки процесса приготовления

 – используйте кнопку для выбора режима

РАЗОГРЕВ

 – используйте кнопку для выбора режима

РАЗМОРОЗКА

 – используйте ручку для установки степени обжарки



Дисплей, Рис. В-5


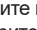
Индикация степени и времени обжарки.

Подготовка к работе

Перед первым использованием включите тостер в режиме поджаривания без хлеба, установив степень обжарки 9. Повторите процедуру 2-3 раза. Затем дайте прибору остыть.

Порядок работы, Рис. С:

1. Удостоверьтесь, что поддон вставлен полностью. Включите вилку прибора в розетку.
2. Поместите хлеб в отверстия для тостов, Рис. С-1.
3. Нажмите рычаг для начала поджаривания. Хлеб опустится, Рис. С-1.
4. С помощью ручки  выберите степень обжарки. Минимальное значение 1 (слегка подсушенный), максимальное - 9 (поджаренный до коричневой корочки). Доступные значения для выбора: 1, 2, 3, 4, 5, 6, 7, 8, 9, Рис. С-3.
5. По окончании поджаривания готовые тосты автоматически поднимутся, Рис. С-4.
6. Во время поджаривания можно контролировать степень обжарки. Если нужная степень достигнута, нажмите кнопку , чтобы прервать процесс.

Режим	Описание	Примечание
РАЗОГРЕВ	<ol style="list-style-type: none">1. Включите вилку прибора в розетку.2. Поместите хлеб в отверстия для тостов.3. Нажмите рычаг, Рис. С-1.4. Нажмите кнопку  для разогрева, Рис. С-2. (Время приготовления фиксировано).5. По окончании готовые тосты автоматически поднимутся, Рис. С-4.	В этом режиме вы можете разогреть остывший тост.
РАЗМОРОЗКА	<ol style="list-style-type: none">1. Включите вилку прибора в розетку.2. Поместите замороженный хлеб в отверстия для тостов.3. Нажмите рычаг, Рис. С-1.4. Нажмите кнопку  для разморозки, Рис. С-2.5. Выберите необходимую степень обжаривания, Рис. С-3.6. По окончании, готовые тосты автоматически поднимутся, Рис. С-4.	В этом режиме вы можете поджарить замороженные ломтики хлеба.

РЕКОМЕНДАЦИИ ПО ПРИГОТОВЛЕНИЮ

- Обязательно удалите обертку и упаковку с тостов перед помещением их в тостер.
- Если жарится один тост, его цвет будет более темным, чем цвет каждого из двух тостов, поджаренных одновременно на том же самом уровне.
- Если жарить подряд несколько порций тостов на одном и том же уровне, последние тосты получатся самыми поджаристыми.
- Для разных сортов хлеба требуется разная степень обжарки. При первом приготовлении тостов установите степень обжарки от 3 до 5.

- Используйте ломтики хлеба, которые свободно помещаются в отверстия для тостов.

ЧИСТКА И УХОД, Рис. D




- Отключите прибор от сети.

- Подождите, пока прибор остынет. Затем протрите его корпус влажной мягкой тканью.
- Выньте поддон и очистите его.

- **Никогда не погружайте прибор в воду из-за опасности поражения электротоком.**



ВОЗМОЖНЫЕ НЕПОЛАДКИ И СПОСОБЫ ИХ УСТРАНЕНИЯ

Возможная неисправность	Возможная причина	Способы решения
Индикация на панели не отображается	Нет питания сети	Проверьте, подключен ли провод к сети. Проверьте исправность розетки. Если неисправность не удалось устранить, обратитесь в уполномоченный сервисный центр OURSSON.
Из тостера пошел дым	Подгорел хлеб	Сразу же нажмите клавишу  , чтобы немедленно остановить работу прибора.
Ломтики хлеба застряли в тостере		Отключите прибор от электросети, дайте ему немного остыть и только после этого удалите застрявший хлеб. Убедитесь, что не повредили внутренний механизм или нагревательные элементы, удаляя хлеб.


ТЕХНИЧЕСКИЕ ХАРАКТЕРИСТИКИ

Технические характеристики	
Модель	TO2130D
Макс. потребляемая мощность, Вт	max 950
Параметры электропитания	220-240 В~; 50 Гц
Класс защиты от поражения электрическим током	I
Температура хранения и транспортировки*	от -25 °С до +35 °С
Температура эксплуатации	от +5 °С до +35 °С
Требования к влажности воздуха при хранении, транспортировке и эксплуатации	15-75% без образования конденсата
Размер прибора, мм	275x185x155
Вес прибора, кг	1,32

*Продукция должна храниться в сухих, проветриваемых складских помещениях при температуре не ниже - 25°С.

СЕРТИФИКАЦИЯ ПРОДУКЦИИ

Информацию о сертификате соответствия смотрите на сайте <http://www.oursson.com/rus/ru/about/partners/certificates/#tab0> или спрашивайте копию у продавца.

 Ремонт тостера должен производиться только квалифицированным специалистом уполномоченного сервисного центра OURSSON AG.

СЕРВИСНОЕ ОБСЛУЖИВАНИЕ

Компания OURSSON AG выражает вам огромную признательность за выбор нашей продукции. Мы сделали все возможное, чтобы данное изделие удовлетворяло вашим запросам, а качество соответствовало лучшим мировым образцам. В случае, если ваше изделие марки OURSSON будет нуждаться в техническом обслуживании, просим вас обращаться в один из Уполномоченных Сервисных Центров (далее – УСЦ). С полным списком УСЦ и их точными адресами вы можете ознакомиться на сайте www.oursson.ru, а также позвонив по номеру телефона бесплатной горячей линии OURSSON AG.

В случае возникновения вопросов или проблем, связанных с продукцией OURSSON AG, просим вас обращаться в письменном виде в организацию, уполномоченную на принятие и удовлетворение требований потребителей в отношении

товара ненадлежащего качества, либо по электронной почте info@oursson.ru.

Условия Гарантийных обязательств OURSSON AG:

- Гарантийные обязательства OURSSON AG, предоставляемые УСЦ OURSSON AG, распространяются только на модели, предназначенные OURSSON AG для производства или поставок и реализации на территории страны, где предоставляется гарантийное обслуживание, приобретенные в этой стране, прошедшие сертификацию на соответствие стандартам этой страны, а также маркированные официальными знаками соответствия.
- Гарантийные обязательства OURSSON AG действуют в рамках законодательства

о защите прав потребителей и регулируются законодательством страны, на территории которой они предоставлены, и только при условии использования изделия исключительно для личных, семейных или домашних нужд. Гарантийные обязательства OURSSON AG не распространяются на случаи использования товаров в целях осуществления предпринимательской деятельности либо в связи с приобретением товаров в целях удовлетворения потребностей предприятий, учреждений, организаций.

3. OURSSON AG устанавливает на свои изделия следующие сроки службы и гарантийные сроки:

Название продукта	Срок службы, месяцев с даты покупки	Гарантийный срок, месяцев со дня покупки
Микроволновые печи, хлебопечи, индукционные плиты	60	12
Мультиварки, кухонные процессоры, кухонные машины, электрические чайники, электрические грили, блендеры, миксеры, мясорубки, тостеры, термоюты, роasters, кофеварки, пароварки, соковыжималки, измельчители, дегидраторы, йогуртницы, ферментаторы, минидуховки, морозильники, холодильники, автоматические кофемашины, вспениватели	36	12
Кухонные весы, сифоны	24	12

4. Гарантийные обязательства OURSSON AG не распространяются на перечисленные ниже принадлежности изделия, если их замена предусмотрена конструкцией и не связана с разборкой изделия:

- Элементы питания.
- Чехлы, ремни, шнуры для переноски, монтажные приспособления, инструмент, документацию, прилагаемую к изделию.

5. Гарантия не распространяется на недостатки, возникшие в изделии вследствие нарушения потребителем правил использования, хранения или транспортировки товара, действия третьих лиц или непреодолимой силы, включая, но не ограничиваясь следующими случаями:

- Если недостаток товара явился следствием небрежного обращения, применения товара не по назначению, нарушения условий и правил эксплуатации, изложенных в инструкции по эксплуатации, в том числе вследствие воздействия высоких или низких температур, высокой влажности или запыленности, следах вскрытия корпуса прибора и/или самостоятельного ремонта, несоответствия Государственным стандартам параметров питающих сетей, попадания внутрь корпуса жидкости, насекомых

и других посторонних предметов, веществ, а также длительного использования изделия в предельных режимах его работы.

- Повреждения и дефекты, вызванные качеством воды и отложением накипи (очистка от накипи и чистка не входит в гарантийное обслуживание и должна РЕГУЛЯРНО производиться Вами самостоятельно).

- Если недостаток товара явился следствием несанкционированного тестирования товара или попыток внесения любых изменений в его конструкцию или его программное обеспечение, в том числе ремонта или технического обслуживания в неуполномоченной OURSSON AG ремонтной организации.

- Если недостаток товара явился следствием использования нестандартных (нетиповых) и (или) некачественных принадлежностей, аксессуаров, запасных частей, элементов питания.

- Если недостаток товара связан с его применением совместно с дополнительным оборудованием (аксессуарами), отличным от дополнительного оборудования, рекомендованного OURSSON AG к применению с данным товаром. OURSSON AG не несет ответственность за качество дополнительного оборудования (аксессуаров), произведенного третьими лицами, за качество работы своих изделий совместно с таким оборудованием, а также за качество работы дополнительного оборудования производства компании OURSSON AG совместно с изделиями других производителей.

6. Недостатки товара, обнаруженные в период срока службы, устраняются уполномоченными на это ремонтными организациями (УЦЛ). В течение гарантийного срока устранение недостатков производится бесплатно при предъявлении оригинала заполненного гарантийного талона и документов, подтверждающих факт и дату заключения договора розничной купли-продажи (товарный, кассовый чек и т. п.). В случае отсутствия указанных документов гарантийный срок исчисляется со дня изготовления товара. При этом следует учитывать:

- Настройка и установка (сборка, подключение и т. п.) изделия, описанная в документации, прилагаемой к нему, не входит в объем гарантийных обязательств OURSSON AG и могут быть выполнены как самим пользователем, так и специалистами большинства уполномоченных сервисных центров соответствующего профиля на платной основе.
- Работы по техническому обслуживанию изделий (чистка и смазка движущихся частей, замена расходных материалов и принадлежностей и т. п.) производятся на платной основе.

7. OURSSON AG не несет ответственности за возможный вред, прямо или косвенно нанесенный своей продукцией людям, домашним животным, имуществу в случае, если это произошло в результате несоблюдения правил и условий эксплуатации,

хранения, транспортировки или установки изделия; умышленных или неосторожных действий потребителя или третьих лиц.

8. Ни при каких обстоятельствах OURSSON AG не несет ответственности за какой-либо особый, случайный, прямой или косвенный ущерб или убытки, включая, но не ограничиваясь перечисленным, упущенную выгоду, убытки, вызванные перерывами в коммерческой, производственной или иной деятельности, возникающие в связи с использованием или невозможностью использования изделия.
9. Вследствие постоянного совершенствования продукции элементы дизайна и некоторые технические характеристики продукта могут быть изменены без предварительного уведомления со стороны производителя.

Использование изделия по истечении срока службы

1. Срок службы, установленный OURSSON AG для данного изделия, действует только при условии использования изделия исключительно для личных, семейных или домашних нужд, а также соблюдении потребителем правил эксплуатации, хранения и транспортировки изделия. При условии аккуратного обращения с изделием и соблюдения правил эксплуатации фактический срок службы может превышать срок службы, установленный OURSSON AG.
2. По окончании срока службы изделия вам необходимо обратиться в Уполномоченный сервисный центр для проведения профилактического обслуживания изделия и определения его пригодности к дальнейшей эксплуатации. Работы по профилактическому обслуживанию изделия и его диагностике выполняются сервисными центрами на платной основе.
3. OURSSON AG не рекомендует продолжать эксплуатацию изделия по окончании срока службы без проведения его профилактического обслуживания в Уполномоченном сервисном центре, т. к. в этом случае изделие может представлять опасность для жизни, здоровья или имущества потребителя.

Утилизация изделия

Этот бытовой электроприбор имеет обозначение согласно требованиям Директивы ЕС 2002/96/EG об отслуживших свой срок электрических и электронных приборах (waste electrical and electronic equipment – WEEE). После окончания срока службы изделия его нельзя выбрасывать вместе с обычным бытовым мусором. Вместо этого оно подлежит сдаче на утилизацию в соответствующий пункт приема электрического и электронного оборудования для последующей переработки и утилизации в соответствии с федеральным или местным законодательством. Обеспечивая правильную утилизацию данного продукта, вы помогаете сберечь природные ресурсы и предотвращаете ущерб для окружающей среды и здоровья людей, который возможен в случае ненадлежащего обращения. Более

подробную информацию о пунктах приема и утилизации данного продукта можно получить в местных муниципальных органах или на предприятии по вывозу бытового мусора.



Дата производства

Каждому изделию присваивается уникальный серийный номер в виде буквенно-цифрового ряда и дублируется штрих-кодом, который содержит следующую информацию: название товарной группы, дату производства, порядковый номер изделия. Серийный номер располагается на задней панели продукта, на упаковке и в гарантийном талоне.



Серийный номер располагается на задней панели продукта, на упаковке и в гарантийном талоне.

- 1 Первые две буквы – соответствие товарной группе (тостер – TO).
- 2 Первые две цифры – год производства.
- 3 Вторые две цифры – месяц производства.
- 4 Последние цифры – порядковый номер изделия.



Во избежание недоразумений убедительно просим вас внимательно изучить Руководство по эксплуатации изделия и условия гарантийных обязательств, проверить правильность заполнения гарантийного талона. Гарантийный талон действителен только при наличии правильно и четко указанных: модели, серийного номера изделия, даты покупки, четких печатей фирмы-продавца, подписи покупателя. Серийный номер и модель изделия должны соответствовать указанным в гарантийном талоне. При нарушении этих условий, а также в случае, когда данные, указанные в гарантийном талоне, изменены или стерты, талон признается недействительным.



Горячая линия OURSSON AG обеспечивает полную информационную поддержку деятельности компании в России, странах СНГ и Балтии. Профессиональные операторы быстро ответят на любой интересующий вас вопрос. Вы можете обращаться в единый центр по вопросам сервисного сопровождения, для рекомендаций специалистов по настройке и подключению, для информирования о местах продаж, с вопросами о рекламных акциях и розыгрышах, проводимых компанией, а также с любыми другими вопросами о деятельности компании на территории России, стран СНГ и Балтии.

Есть вопросы? Звоните, мы поможем!

Телефон горячей линии OURSSON AG (бесплатные звонки со стационарных телефонов):

8 800 100 8 708

Время работы горячей линии:

понедельник-пятница с 10:00 до 20:00 (по московскому времени); без выходных, 7 дней в неделю.

Настоящая инструкция является объектом охраны в соответствии с международным и российским законодательством об авторском праве. Любое несанкционированное использование инструкции, включая копирование, тиражирование и распространение, но не ограничиваясь этим, влечет применение к виновному лицу гражданско-правовой ответственности, а также уголовной ответственности в соответствии со статьей 146 УК РФ и административной ответственности в соответствии со статьей 7.12 КоАП РФ (ст.150.4 КоАП в старой редакции).

Контактная информация:

1. Изготовитель товара – OURSSON AG (OPCON AG), Ул. Гран-Шен 5, 1003 Лозанна, Швейцария.
2. Организация, уполномоченная на принятие и удовлетворение требований потребителей в отношении товара ненадлежащего качества (уполномоченное изготовителем лицо), – ООО «OPCON», 125445, Москва, Ленинградское шоссе, д. 65, стр. 3.
3. Информация о сертификации продукта доступна на сайте www.oursson.com.
4. Импортёр продукции OURSSON AG: РФ и/или страны ETC: смотрите информацию на упаковке товара.

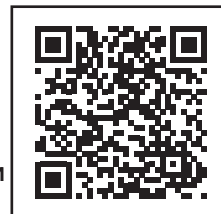
OURSSON AG
Сделано в КНР



forum.oursson.ru



Скачайте мобильное приложение с рецептами к технике Oursson





www.oursson.com